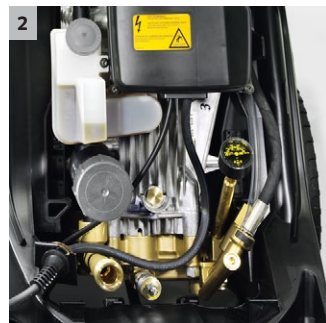




HD 10/25-4 S EASY!

The HD 10/25-4 S cold water high-pressure cleaner in an upright construction style impresses with EASY!Force high-pressure gun, pressure switch control and Servo Control.



1 Save energy and time: EASY!Force high-pressure guns and EASY!Lock quick-release locks.

- At last – work without getting tired: the EASY!Force high-pressure gun.
- EASY!Lock quick-release locks: durable and robust. And five times faster than screws.

2 Proven Kärcher quality

- 4-pole water-cooled electric motor.
- Robust brass cylinder head and ceramic pistons.

3 For increased safety

- Integrated electronics for unit monitoring.
- Automatic switch-off in case of undervoltage or overvoltage.

4 Outstanding mobility

- Large rubber tyres for negotiating uneven surfaces, stairs and landings.
- Proven sack trolley principle for easy, ergonomic transport.



Page 2
 5.Object
 page6152296110024_std_1_272x272px.jpg
 wurde anstatt
 PAGE6152296110024_std_1_272x272px.JPG
 plaziert.
 6.Object
 page6152296110069_std_1_272x272px.jpg
 wurde anstatt
 PAGE6152296110069_std_1_272x272px.JPG
 plaziert.

HD 10/25-4 S EASY!

- Save energy and time: EASY!Force high-pressure guns and EASY!Lock quick-release locks.
- Water-cooled three-phase motor
- Maximum impact pressure for stubborn dirt

Technical data

Order No.	1.286-902.0	
EAN code	4054278158259	
Type of current	Ph / V / Hz	3 / 400 / 50
Flow rate	l/h	500 - 1000
Operating pressure	bar / MPa	30 - 250 / 3 - 25
Max. pressure	bar / MPa	275 / 27,5
Max. feed temperature	°C	60
Power rating	kW	9,2
Weight	kg	67,95
Dimensions (L x W x H)	mm	560 × 500 × 1090
		6 l tank
number of simultaneous users		1 / 2
Mobility		medium

Equipment

Trigger gun	EASY!Force Advanced	Brass water inlet fitting	■
High-pressure hose	m 10		
Spray lance	mm 1050		
Power nozzle	■		
ANTI!Twist	■		
4-pole three-phase motor with air and water cooling	■		
Pressure cut-off	■		
Large fine mesh water filter	■		
Electronic motor protection system with LED display	■		
Oil sight glass	■		
Servo Control	■		

■ Included in delivery.

HD 10/25-4 S EASY! 1.286-902.0

KÄRCHER



		Order No.	ID	Max. working pressure	Length	Price	Description	
Standard with unions on both sides								
High-pressure hose, 15 m DN 8, AVS trigger gun connector	1	6.110-030.0	8	315 bar	15 m		15 m high-pressure hose (M 22 x 1.5) with kink protection. With patented rotating AVS trigger gun connector and manual coupling. Further data: DN 8/155°C/315 bar.	▲
High-pressure hose, 20 m DN 8, AVS trigger gun connector	2	6.110-032.0	8	315 bar	20 m		20 m high-pressure hose (M 22 x 1.5) with kink protection. With patented rotating AVS trigger gun connector and manual coupling. Further data: DN 8/155°C/315 bar.	▲
High-pressure hose, 30 m DN 8, including rotary coupling	3	6.110-014.0	8	315 bar	30 m		With rotary coupling, 2 x M 22 x 1.5	▲
High-pressure hose, 15 m DN 10, 220 bar, extension	4	6.110-042.0	10	220 bar	15 m		15 m high-pressure hose M 22 x 1.5) with kink protection and threaded couplings at both ends. Further data: DN 10/155°C/220 bar.	▲
High-pressure hose, 20 m DN 10, 220 bar, extension	5	6.110-043.0	10	220 bar	20 m		with union on both sides, M 22 x 1.5 with anti-kink protection. NW 10/155°C/220 bar	▲
High-pressure hose, 25 m DN 10, extension, not rotatable	6	6.110-044.0	10	220 bar	25 m			▲
Hose assembly premium DN10 22MPa 40m	7	6.110-045.0	10	220 bar	40 m			▲
Hose assembly premium DN12 21MPa 15m	8	6.110-059.0	12	210 bar	15 m		High-pressure hose for water volumes greater than 1,800 l/h. With union on both sides. 2x M 22 x 1.5 with anti-kink protection.	▲
Hose assembly premium DN12 21MPa 40m	9	6.110-060.0	12	210 bar	40 m			▲
Hose assembly TR DN10 22MPa 10m	10	6.110-041.0	10	220 bar	10 m		Impressive values and basic equipment: high-pressure hose, (ID 10), 25 m long, for up to 220 bar pressure.	▲
High-pressure hose, 10 m DN 8, AVS trigger gun connector	11	6.110-031.0	8	315 bar	10 m		10 m high-pressure hose (M 22 x 1.5) with kink protection. With patented rotating AVS trigger gun connector and manual coupling. Further data: DN 8/155°C/315 bar.	■
Longlife 400 with unions on both sides								
High-pressure hose Longlife 400, 30 m ID 8, including rotary coupling	12	6.110-023.0	8	400 bar	30 m		With rotary coupling, 2 x M 22 x 1.5	▲
High-pressure hose Longlife 400 2x EASY!Lock, ID 8, 400 bar, 20 m, ANTI!Twist	13	6.110-027.0	8	400 bar	20 m		High-pressure hose with ANTI!Twist, EASY!Lock hand screw connections and double steel reinforcement. 20 m long, ID 8, EASY!Lock hand screw connection at both ends.	▲
High-pressure hose Longlife 400, 15 m, ID 8, including rotary coupling	14	6.110-029.0	8	400 bar	15 m		With rotary coupling, 2 x M 22 x 1.5	▲
High-pressure hose 1.5 m, ID 8, including connectors	15	6.110-024.0	8	400 bar	1.5 m		1.5 m high-pressure hose (DN 8, M 22 x 1.5) with kink protection and connectors at both ends. For connecting to hose reels with appropriate connector (M 22 x 1.5).	□
	16	6.110-069.0	8	400 bar	1.5 m		High-pressure hose (ID 8) with double steel reinforcement. 30 m long, suitable for up to 400 bar pressure. Connectors: M 22 x 1.5, quick and convenient EASY!Lock hand screw connection.	□
High-pressure hose packaged	17	6.110-038.0	8	400 bar	10 m		Durable, 10 m long high-pressure hose (ID 8) with double steel reinforcement and EASY!Lock hand screw connection at both ends and ANTI!Twist. Approved for 400 bar pressure.	□
Food industry version with unions on both sides								
High-pressure hose, 10 m ID 8, suitable for food industry, extension piece	18	6.110-051.0	8	250 bar	10 m		10 m high-pressure hose (DN 8) with patented (rotating) AVS trigger gun connector. Non-discolouring outer layer for use in the food industry. M 22 x 1.5 with anti-kink sleeve.	▲

■ Included in delivery. □ Available accessories. ▲ Extension hose.

HD 10/25-4 S EASY! 1.286-902.0

KÄRCHER

Page 2

5.Object

page6152312115000_ std_2_272x272px.jpg wurde anstatt PAGE6152312111051_ std_01_272x272px.JPG platziert.
1-3, 11



4, 8, 10

6.Object

page6152312115001_ std_1_272x272px.jpg wurde anstatt PAGE6152296110024_ std_1_272x272px.JPG platziert.
17



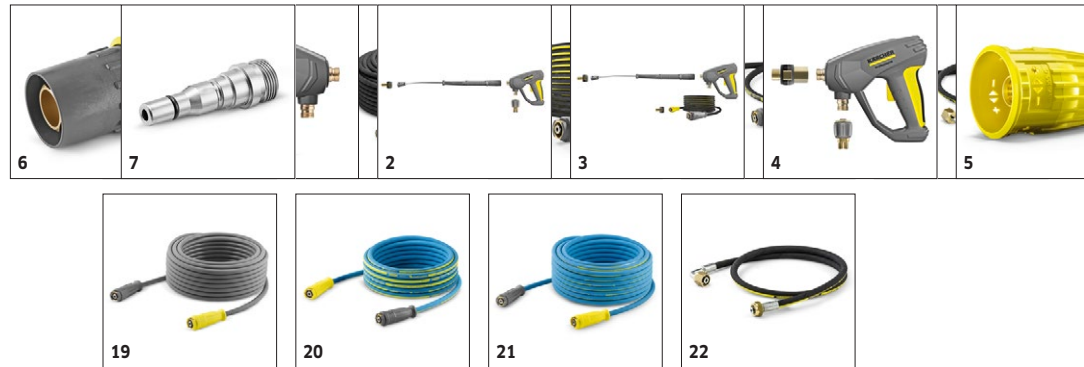
18

	Order No.	ID	Max. working pressure	Length	Price	Description	
High-pressure hose, 20 m ID 8, suitable for food industry, extension piece	19	6.110-052.0	8	250 bar	20 m	20 m high-pressure hose (DN 8) with swivel coupling. Non-discolouring outer layer for use in the food industry. Connectors at both ends, M 22 x 1.5, with kink protection. NW 8/155°C/250 bar.	▲
Longlife food industry version with unions on both sides							
High pressure hose food ID 8 / 10 m	20	6.110-053.0	8	400 bar	10 m	Longlife HP hose for use in the food industry. Außen-decke## animal-grease-resistant, non-colour-bleeding material. With rotary coupling, 2 x M 22 x 1.5	▲
High-pressure hose Longlife 400, 15 m, ID 6, AVS trigger gun connection	21	6.110-054.0	8	400 bar	20 m	Longlife HP hose for use in the food industry. Außen-decke## animal-grease-resistant, non-colour-bleeding material. With patented AVS connection in the pistol (pivot mounted)	□
Special hoses							
High-pressure hose 1.5 m, ID 8, including connectors, outlet bend	22	6.110-068.0	8	400 bar	1.5 m	For connection to hose reels: high-pressure hose, with M 22 x 1.5 connection and curved EASY!Lock hand screw connection. 1.5 m long, suitable for up to 400 bar working pressure.	□

■ Included in delivery. □ Available accessories. ▲ Extension hose.

HD 10/25-4 S EASY! 1.286-902.0

KÄRCHER



		Order No.	Flow rate			Price	Description	
Trigger guns								
EASY!Force Advanced	1	4.118-005.0					Effortless, not energy-sapping: the EASY!Force high-pressure gun uses the recoil force of the high-pressure jet to reduce the holding force for the operator to zero.	■
Conversion kit 1 from high pressure hose	2	4.111-050.0					For retrofitting Kärcher high-pressure cleaners with existing high-pressure hose: EASY!Force conversion kit 1 with EASY!Force high-pressure gun, spray lance and all adapters through to the nozzle.	□
Conversion kit 2 from device	3	4.111-051.0					Developed for retrofitting existing high-pressure cleaners from Kärcher: EASY!Force conversion kit 2 with EASY!Force high-pressure gun, spray lance, high-pressure hose and necessary adapters.	□
Conversion kit 3 only EASY!Force	4	4.111-052.0					Compatible with existing high-pressure hose and spray lance: EASY!Force conversion kit 3, incl. EASY!Force trigger gun and all necessary adapters for upgrading your high-pressure cleaner.	□
Servo Control								
Servo control	5	4.118-008.0	750 - 1100 l/h				Water quantity and pressure regulated directly from the hand spray gun.	■
Quick connect								
Quick-fitting pipe union coupler trapezo	6	2.115-000.0					For fast changes between different spray lances/accessories. Perfect for Kärcher spray unit, suitable for trigger gun/spray lance interface. With M 22 x 1.5 internal thread.	□
Quick-fitting pipe union plug nipple tra	7	2.115-001.0					Hardened stainless steel male coupling for quick coupling 2.115-000. With M 22 x 1.5 external thread.	□

■ Included in delivery. □ Available accessories. ▲ Extension hose.

HD 10/25-4 S EASY! 1.286-902.0

KÄRCHER

Page 2

04.Object

page6152324112032_

std_1_272x272px.jpg konnte nicht plaziert werden.

16.Object

page6152324112027_

std_1_272x272px.jpg konnte nicht plaziert werden.

16.Object

page6152324112032_

std_01_272x272px.jpg konnte nicht plaziert werden.

16.Object

page6152324112032_

std_01_272x272px.jpg konnte nicht plaziert werden.

16.Object

page6152324112032_

std_01_272x272px.jpg konnte nicht plaziert werden.

16.Object



2

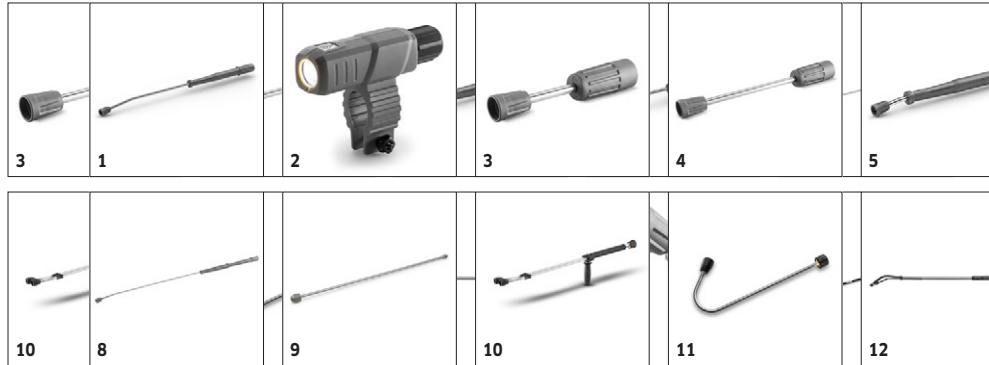


9

	Order No.	Max. working pressure	Length		Price	Description	
Rotating spray lances							
1050 mm lance, rotatable, ergonomic	1	4.112-000.0	300 bar	1050 mm		1050 mm stainless steel lance (manual coupling) with ergonomic handle for ease of use and protection. Rotatable 360° under pressure.	■
Nozzle light	2	2.680-002.0		125 mm		Bright, lightweight LED work light for direct mounting on spray lance of EASY!Force high-pressure gun. Better view in unfavourable lighting conditions for up to 5 working hours.	□
Lance 250 mm, non-rotatable	3	4.112-027.0	300 bar	250 mm		Spray lance, 600 mm, rotatable, ergonomic	□
550 mm lance, non-rotatable	4	4.112-024.0	300 bar	400 mm		Spray lance, 550 mm, rotatable, ergonomic	□
Rotatable lance, 600 mm, ergonomic	5	4.112-007.0	300 bar	600 mm		600 mm stainless steel lance (manual coupling) with ergonomic handle for ease of use and protection. Rotatable 360° under pressure.	□
Lance 850 mm, rotatable, ergonomic	6	4.112-006.0	300 bar	840 mm		850 mm stainless steel lance (manual coupling) with ergonomic handle for ease of use and protection. Rotatable 360° under pressure.	□
Lance 1550 mm, rotatable, ergonomic	7	4.112-018.0	300 bar	1550 mm		1550 mm stainless steel lance (manual coupling) with ergonomic handle for ease of use and protection. Rotatable 360° under pressure.	□
Lance 2050 mm, rotatable, ergonomic	8	4.112-021.0	300 bar	2050 mm		2050 mm stainless steel lance (manual coupling) with ergonomic handle for ease of use and protection. Rotatable 360° under pressure.	□
Jet pipe extension TR 1000 mm	9	4.112-048.0	300 bar	1000 mm		Spray lance extension with EASY!Lock connection. Length 1000 mm.	□
Double lance							
Double lance 960 mm	10	2.112-016.0	310 bar	960 mm		960 mm double lance for variable pressure adjustment on handle at full water flow rate. Suitable for agricultural use (e.g. stable cleaning).	□
Angular spray lance							
WC and gutter lance	11	4.112-029.0				Stainless steel lance WC and gutter with nozzle insert. Specially shaped for effective and hygienic cleaning of gutters and toilets.	□
Flexible spray lance							
Flexible lance 1050 mm	12	4.112-035.0	210 bar	1050 mm		1050 mm flexible lance with variable bend from 20° to 140°, ideal for cleaning difficult to reach areas, e.g. gutters.	□
Articulated joint TR 20	13	4.112-057.0	300 bar			For hard-to-reach areas: High-pressure articulated joint with infinite angle adjustment up to 120°. Simply attach directly to the spray lance of the pressure washer.	□
Telescopic spray lance							
Telescopic jet pipe	14	4.112-037.0	225 bar	5400 mm		Can be continuously extended from 1.8 to 5.4 m. For cleaning areas that are difficult to reach, such as ceilings or facades. With integrated HD trigger gun, M 22 x 1.5 connection with rotary coupling. Connection for M 18 x 1.5 nozzles.	□
Restraint belt for telescopic jet pipe	15	6.373-987.0				Convenient strap for relief when working with the telescopic spray lance (6.394-690). The burden is optimally distributed on the body and longer periods of use are possible.	□
Gutter cleaner							
Gutter cleaning lance	16	2.112-015.0		960 mm		The lance is suited for cleaning of gutter systems. Because of the shape of the lance and the special nozzle the gutter can be cleaned without removing the cover plates.	□
Undercarriage spray lance							
Underbody lance	17	4.112-032.0		700 mm		Stainless steel lance for effective and easy underbody and wheel arch cleaning. Without high-pressure nozzle.	□

■ Included in delivery. □ Available accessories. ▲ Extension hose.

HD 10/25-4 S EASY! 1.286-902.0



	Order No.	Max. working pressure	Length	Price	Description
Additional handle Additional handle for EASY!Lock spray lances	18	4.321-380.0			Comfortable in every situation - the additional handle is easy to attach to the spray lance of our new EASY!Lock generation and makes work easier by allowing you to adjust your posture to suit the particular task. Regularly changing your posture relieves the strain on your body, making work more relaxed. Thanks to the 360°-rotatable spray lance, the additional handle can simply be fully rotated whilst working for greater flexibility.

■ Included in delivery. □ Available accessories. ▲ Extension hose.

HD 10/25-4 S EASY! 1.286-902.0



		Order No.	Nozzle size				Price	Description	
Power nozzle spray angle 25°									
Power nozzle	1	2.113-009.0	47					Fan jet nozzle with 25° spray angle, suitable for large areas and removing stubborn dirt and stains.	■
HP nozzle spray angle 0°									
Power nozzle	2	2.113-034.0	50					High-pressure nozzle with powerful jet for extremely stubborn dirt.	□
Power nozzle spray angle 15°									
Power nozzle	3	2.113-047.0	55					Fan jet nozzle with 15° spray angle suitable for stubborn dirt.	□
Power nozzle spray angle 40°									
Power nozzle	4	2.113-054.0	50					Power nozzle with a 40° spray angle and fan jet, suitable for large areas and sensitive surfaces.	□

■ Included in delivery. □ Available accessories. ▲ Extension hose.

HD 10/25-4 S EASY! 1.286-902.0



		Order No.	Max. working pressure	Nozzle size			Price	Description	
Dirt blaster, large									
Dirt blaster	1	4.114-027.0	300 bar	50				The dirt blaster with rotating pencil jet offers 10 times better cleaning performance. Ceramic nozzle and bearing ring for a long service life. Further data: Max. 300 bar, 30 MPa, 85°C.	<input type="checkbox"/>
Triple nozzles									
Triple nozzle	2	4.117-037.0	300 bar	50				Triple nozzle with manual nozzle changeover. Convenient spray adjustment. For high-pressure cleaners with injector; low-pressure fan jet for detergent removal and application. Connector M 18x1.5.	<input type="checkbox"/>
Angle vario nozzle 0°-90°									
Angled vario nozzle	3	4.113-007.0		50				Variable angle nozzle for spray angle adjustment from 0° to 90°. For easy adjustment to all kinds of soiling and surfaces.	<input type="checkbox"/>

■ Included in delivery. □ Available accessories. ▲ Extension hose.

HD 10/25-4 S EASY! 1.286-902.0

KÄRCHER

Page 2

0400jekt
page6152734111034_
std_1_272x272px.jpg kon-
wurde anstatt
PA GE 152734111034_000
page6152734111034_003
std_1_272x272px.jpg kon-
nt@jekt plziert werden.
page6152734111035_
std_1_272x272px.jpg kon-
wurde anstatt
PA GE 152734111035_000
std_1_272x272px.JPG
plziert.



2



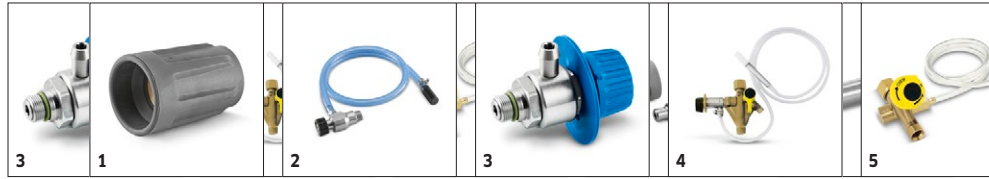
10

		Order No.				Price	Description	
Nozzle union								
Protection part TR only for replacement	1	4.112-011.0					Nozzle screws with protectors for high-pressure and power nozzles	<input type="checkbox"/>
HP detergent injector								
Stainless steel injector kit for HD 10/25-4S	2	6.645-761.0					Stainless steel injector for cleaning agent and foam applications. Specifically for the HD 10/25-4 S High-pressure cleaner. For precise cleaning agent dosage.	<input type="checkbox"/>
Dosing valve for stainless steel injector	3	6.500-000.0					Retrofittable dosing valve for stainless steel injectors. For easy, convenient and precise cleaning agent dosing adjustment via a control knob.	<input type="checkbox"/>
Detergent injector for high and low pressure (without nozzles)	4	4.637-032.0					Detergent injector for independent high and low pressure dosage. Maximum dosage about 15%.	<input type="checkbox"/>
Detergent injector for high pressure	5	4.637-033.0					Cleaning agent dosage at high pressure 3 - 5 %	<input type="checkbox"/>
Machine-specific nozzle kit with order no. 3.637-170								
Nozzle insert trapezoidal thread HDS-GER	6	4.769-011.0					For HD/HDS 750 - 1000 l/h. Consists of nozzle insert + HP power nozzle + union	<input type="checkbox"/>
Nozzle insert with order no. 3.637-001								
Nozzle insert for Order No. 3.637-001, high-pressure for machines up to 1100 l/h.	7	4.769-003.0					Nozzle insert for detergent injector 3.637-001 for high-pressure detergent application. For high-pressure cleaners with a water flow rate up to 1100 l/h.	<input type="checkbox"/>
Low pressure for units rated up to 1100 l/h	8	4.769-001.0					For low pressure with machines up to 1.100 l/h	<input type="checkbox"/>
Rotary coupling								
Rotary coupling	9	4.111-021.0					Kärcher rotary coupling prevents twisting and kinking of high-pressure hoses for ease of use. Connector M 22 x 1.5 m. With grip protection.	<input type="checkbox"/>
Coupling								
Coupler -2xM22x1,5	10	4.111-037.0					Brass double connector for connecting and extending high-pressure hoses. With rubber protection. Connector: 2x M 22 x 1.5 m.	<input type="checkbox"/>
Connector								
Nozzle connector/screw connector	11	4.111-022.0					Nozzle connector/screw connector for connecting high-pressure nozzles and accessories to the high-pressure trigger gun (with nozzle connector). Connectors: 1x M 22 x 1.5 and 1x M 18 x 1.5.	<input type="checkbox"/>
Y distributor	12	4.111-024.0					Offers the option to connect two spray units to the machine. Installation on the high pressure outlet.	<input type="checkbox"/>
Short spray unit	13	4.111-038.0					For attaching high-pressure nozzles and accessory parts to HP trigger gun (with nozzle screws). Not compatible with triple nozzles.	<input type="checkbox"/>
Adapter EASY!Lock								
Adapter 1 M22AG-TR22AG	14	4.111-029.0					Adapter 1 to connect the old hose with the new hose	<input type="checkbox"/>
Adapter 2 M22IG-TR22AG	15	4.111-030.0					Adapter 2 to connect the old device with the new hose and the old gun with the new hose	<input type="checkbox"/>
Adapter 3 M22IG-TR22AG	16	4.111-031.0					Adapter 3 to connect the old gun with the new spray lance and new servo regulator	<input type="checkbox"/>
Adapter M22 - Swivel	17	4.111-032.0					M22 x 1,5female and swivel connection. For extension of high-pressure hoses with AVS connection or for usage of the telescopic lance with a high-pressure hose with AVS connection.	<input type="checkbox"/>
Adapter 5 TR22IG-M22AG	18	4.111-033.0					Adapter 5 to connect the new gun with the old spray lance and new servo regulator with the old spray lance	<input type="checkbox"/>

■ Included in delivery. □ Available accessories. ▲ Extension hose.

HD 10/25-4 S EASY! 1.286-902.0

KÄRCHER



		Order No.					Price	Description	
Adapter 6 TR22IG-M22AG	19	4.111-034.0						Adapter 6 to connect the new device with the old hose and the old hose with the new gun	<input type="checkbox"/>
Adapter 7 M18IG-TR20AG	20	4.111-035.0						Adapter 7 to connect the old spray lance with the new nozzle	<input type="checkbox"/>
Adapter 8 TR20IG-M18AG	21	4.111-036.0						Adapter 8 to connect the new spray lance with the old nozzle	<input type="checkbox"/>
ADAPTER for replacement TR22IG-M22AG Er	22	4.111-046.0						Rotatable adapter for connecting EASY!Force high-pressure gun and high-pressure hoses with M 22x1.5 connection	<input type="checkbox"/>

■ Included in delivery. □ Available accessories. ▲ Extension hose.

HD 10/25-4 S EASY! 1.286-902.0

KÄRCHER

Page 2

5.Object

page6152682111023

std_1_272x272px.jpg

wurde anstatt

PAGE6152682111023

std_1_272x272px.JPG

plaziert. 1-3

6.Object

page6152682640442

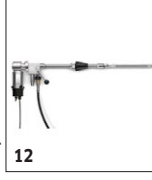
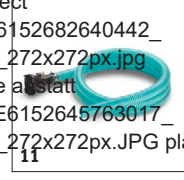
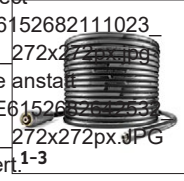
dd_1_272x272px.jpg

wurde anstatt

PAGE6152645763017

dd_1_272x272px.JPG

plaziert. 11



	Order No.	Max. working pressure	Nozzle size	Diameter	Price	Description	
Pipe cleaning hose, ID 6							
Hose assembly TR pipe cleaning DN6 max.2	1	6.110-046.0	250 bar			The 10 m pipe cleaning hose is a highly flexible high pressure hose for pipe interior cleaning (threaded connection for nozzle R 1/8).	<input type="checkbox"/>
Pipe cleaning hose, ID 6, 20 m, max. 250 bar	2	6.110-008.0	250 bar			The 20 m pipe cleaning hose is a highly flexible high pressure hose for pipe interior cleaning (threaded connection for nozzle R 1/8).	<input type="checkbox"/>
Hose assembly TR pipe cleaning DN6 max.2	3	6.110-047.0	250 bar			The 30 m pipe cleaning hose is a highly flexible high pressure hose for pipe interior cleaning (threaded connection for nozzle R 1/8).	<input type="checkbox"/>
Pipe cleaning nozzle							
Dirt blaster pipe cleaning D21/060	4	4.765-002.0	60	21 mm		The forward-tilted rotating pencil jet removes the most stubborn dirt. The three backwards-tilted jets ensure the necessary forward movement, as well as convenient handling.	<input type="checkbox"/>
Dirt blaster pipe cleaning D30/060	5	4.765-005.0	60	30 mm			<input type="checkbox"/>
Nozzle pipe cleaning size 80	6	5.763-087.0	80	24 mm		Pipe cleaning nozzle with 24 mm diameter. With 4 nozzles tilted back at a 30° angle.	<input type="checkbox"/>
Pipe cleaning nozzle	7	5.763-019.0	65	16 mm		16 mm pipe cleaning nozzle with internal thread. Various jet directions for environmentally-friendly cleaning of blocked drains and pipes.	<input type="checkbox"/>
	8	5.763-016.0	60	16 mm			<input type="checkbox"/>
	9	5.763-021.0	70	30 mm			<input type="checkbox"/>
Rotating pipe cleaning nozzle	10	6.415-440.0	65	16 mm		Rotating pipe cleaning nozzle with internal thread and four rotating jets for environmentally-friendly cleaning of blocked drains and pipes.	<input type="checkbox"/>
Drum and tank cleaning							
Add-on kit mud sucker	11	2.641-798.0					<input type="checkbox"/>
Barrel and tank cleaning							
Barrel cleaner BC 14/12	12	2.112-020.0				Nozzle kit with wet blasting nozzle and nozzle insert (type specific). For optimal Kärcher wet blasting attachment performance. Only in combination with wet blasting attachment 4.115-000.0 4.115-006.0.	<input type="checkbox"/>
HKF 50 spray head, brass							
HKF 50 spray head , brass	13	3.631-039.0				Depth of immersion 850 mm. Interior cleaning head for barrels and containers with bungholes of 50 mm and more. Can be directly connected to the high-pressure cleaner. Electric motor drive. Operation is possible both vertically and horizontally	<input type="checkbox"/>
HKF 50 spray head, brass	14	3.631-058.0				Depth of immersion 150 mm. Interior cleaning head for barrels and containers with bungholes of 50 mm and more. Can be directly connected to the high-pressure cleaner. Electric motor drive. Operation is possible both vertically and horizontally	<input type="checkbox"/>
Nozzle kit for HKF 50 spray head (3.631-009.0 / 3.631-039.0)							
Nozzle 045 for dual nozzle operation HKF 50	15	6.415-446.0	45			Nozzle for dual-nozzle operation	<input type="checkbox"/>
Nozzle 090 for single nozzle operation HKF 50	16	6.415-447.0	90			Nozzle for single-nozzle operation	<input type="checkbox"/>
Double handle for exact control of the spray head	17	2.863-036.0				Double handle. Precise control of the spray head	<input type="checkbox"/>
Screw plug for using a spray head with one nozzle	18	5.411-061.0				Screw plug for using a spray head with one nozzle	<input type="checkbox"/>

■ Included in delivery. □ Available accessories. ▲ Extension hose.

HD 10/25-4 S EASY! 1.286-902.0

KÄRCHER



	Order No.	Flow rate	Nozzle size	Diame- ter	Price	Description	
Hard Surface Cleaner FRV 30							
Add-on kit rubber lip	1	2.642-910.0				For smooth floors indoors. The squeegee increases the suction performance of the FRV 30 and minimises the amount of water remaining. This means the floor is dry in just a few minutes.	<input type="checkbox"/>
Extension hose 5 m	2	4.440-939.0				5m extension hose for FRV 30. Connection sleeve included.	<input type="checkbox"/>
Add-on kit hose attachment	3	2.642-528.0				Suction cup for fixing the suction hose to smooth surfaces.	<input type="checkbox"/>
Add-on kit dirt trap	4	2.642-532.0				Galvanised steel bucket for collecting coarse dirt and for fixing the suction hose in outside areas.	<input type="checkbox"/>
FRV 30	5	2.111-010.0				With the integrated, automatic suction of the dirty water, the FRV 30 makes surface cleaning even more efficient and can be used in both inside and outside areas. There is no longer a need to rinse the surface after cleaning, since the dirty water can be discharged through the 5 m suction hose supplied. Additional quality features are the non-marking steering rollers and double ceramic bearing. Machine-specific nozzle kit must be ordered separately. Max. 250 bar / 1000 l/h / 60°C.	<input type="checkbox"/>
Hard surface cleaner FR 30 ME							
FR 30 ME surface cleaner	6	2.111-013.0		300 mm		Hot water resistant stainless steel surface cleaner with double ceramic bearings, non-marking swivel castors and suction hose connection. Ideal for indoor cleaning, e.g. food industry.	<input type="checkbox"/>
Hard Surface Cleaner FR 50							
FR 50 surface cleaner	7	2.111-023.0		500 mm		Hot water resistant stainless steel surface cleaner with 500 mm working width. Ideal for large areas. With double ceramic bearings, push handle, non-marking swivel castors and detergent dosing system.	<input type="checkbox"/>
Machine-specific nozzle kit for FR							
Nozzle kit for surface cleaners (type-specific) 850 - 1100 l/h	8	2.640-442.0	850 - 1100 l/h			Nozzle kit includes power nozzles and unions. For Kärcher surface cleaners (850 to 1100 l/h).	<input type="checkbox"/>
Machine-specific nozzle kits for FRV							
Nozzle kit 050 for FRV 30	9	2.642-433.0		50		Machine-specific nozzle kit with Kärcher power nozzles and jet nozzle for FRV 30.	<input type="checkbox"/>
FRV 30 Me surface cleaner							
Suction hose FRV 30 me	10	4.441-040.0				5 m extension hose for FRV 30 Me. Includes connecting adapter.	<input type="checkbox"/>
FRV 30 ME	11	2.111-012.0				Thanks to automatic suction of the dirty water, the stainless steel FRV 30 Me Surface Cleaner makes surface cleaning more efficient in both inside and outside areas. Hot water cleaning up to 85°C.	<input type="checkbox"/>
Surface Cleaner FR 50 Me							
	12	2.111-024.0				Surface cleaning with automatic suction of the dirty water for very large surfaces - this means the FRV 50 Me. Hot water cleaning up to 85°C. The FRV 50 Me features a temperature-resistant 10 m polyurethane suction hose. Additional quality features are the non-marking steering rollers and double ceramic bearing. Machine-specific nozzle kit must be ordered separately. Max. 250 bar / 2000 l/h / 85°C.	<input type="checkbox"/>

■ Included in delivery. □ Available accessories. ▲ Extension hose.

HD 10/25-4 S EASY! 1.286-902.0

KÄRCHER

Page 2

5.Object

page6152306391421_std_1_272x272px.jpg wurde anstatt PAGE6152306392965_std_2_272x272px.JPG plaziert.¹



6.Object

page6152302641866_dd_1_272x272px.jpg wurde anstatt PAGE6152702112010_std_3_272x272px.JPG plaziert.⁸

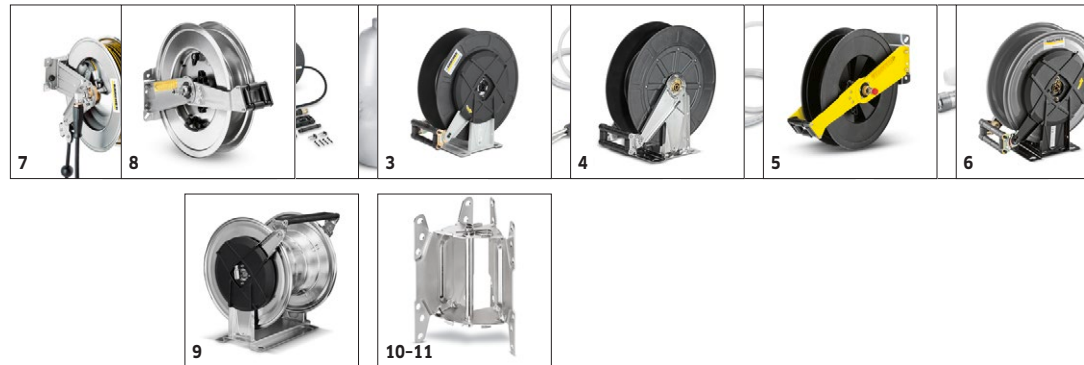


		Order No.	Flow rate				Price	Description	
Cup foam lance									
Foam lance TR	1	4.112-055.0	900 - 2500 l/h					High-quality, simple and durable: Basic 3 cup foam lance for high-pressure cleaners with a flow rate of 900-2500 l/h. Halves the cleaning agent consumption while maintaining optimum foam quality.	<input type="checkbox"/>
Bottle cleaning agents 1L	2	5.071-414.0							<input type="checkbox"/>
Packing complete for 6.394-968.0	3	2.112-017.0						Short, handy foam lance with adjustable spray angle with 1 litre detergent tank. Ideal for cleaning cars due to its compact design.	<input type="checkbox"/>
Tank grey only for replacement 1L	4	6.414-050.0						Additional 1-litre cleaning agent container for quick replacement of the cleaning agent (for foam lance 2.112-017.0 and 2.112-018.0).	<input type="checkbox"/>
Inno Foam Kit									
Inno foam kit with detergent injector	5	2.112-000.0						High-pressure foam system with double lance (foam nozzle and high-pressure jet for rinsing). For use with mobile and stationary high-pressure and HDS pressure cleaners for cleaning or disinfection.	<input type="checkbox"/>
Easy Foam Set									
Easy Foam Set with RM injector	6	2.112-010.0						HP foam system for use with. HD/HDS units for cleaning and disinfecting. Foam nozzle for connection to lance and HP chemical injector with precision 0-5% metering valve. The machine specific nozzle kit has to be ordered separately.	<input type="checkbox"/>
Nozzle kits for Inno/Easy Foam Set									
Nozzle kit 090 Inno/Easy kit 700 - 1000 l/h	7	2.111-019.0	700 - 1000 l/h					Nozzle kit contains Kärcher power nozzles and nozzle inserts. For Inno/Easy-Foam set 700-1000 l/h. For optimal foam system performance.	<input type="checkbox"/>
Foam nozzle mounting kit									
Foam nozzle kit	8	2.112-013.0						Foaming agent kit. The foam nozzle is ideal for use in sanitary areas and the food industry and wherever long application times are necessary.	<input type="checkbox"/>

■ Included in delivery. □ Available accessories. ▲ Extension hose.

HD 10/25-4 S EASY! 1.286-902.0

KÄRCHER

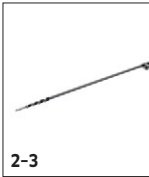
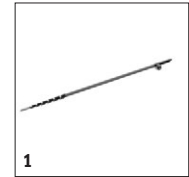


		Order No.	Length			Price	Description	
Hose reel add-on kit								
Hose reel kit for HD super class	1	2.110-008.0	20 m				ABS hose reel for mounting on the machine. For safe and tidy storage of high-pressure hoses (with connecting hose to machine's HP outlet) Can be rotated under pressure, with M 22 x 1.5 connection.	<input type="checkbox"/>
Automatic, self-winding hose reels								
Wall-mounted hose reel	2	2.639-257.0	15 m					<input type="checkbox"/>
Add-on kit hose reel plastics	3	6.392-074.0	20 m				Automatic hose reel for 20 m high-pressure hose. The console is made from powder-coated steel, the drum is made from plastic.	<input type="checkbox"/>
Add-on kit hose reel	4	6.392-083.0	20 m				Automatic hose reel for 20 m high-pressure hose. The console consists of stainless steel, the drum is made from plastic.	<input type="checkbox"/>
Hose reel, automatic, 20 m, painted	5	6.392-106.0	20 m				Automatic hose reel of durable plastic. Painted steel bracket. Suitable for 20 m high-pressure hose.	<input type="checkbox"/>
Add-on kit hose reel lacquered basaltgra	6	6.392-105.0	20 m				Automatic hose reels provide the highest level of safety and convenience for winding and unwinding HP hoses. For example: order no. 6.110-011.0 (ID 8, 20 m, 315 bar) or order no. 6.110-028.0 (ID 8, 20 m, 400 bar Longlife).	<input type="checkbox"/>
Hose reel, automatic, 20 m, stainless steel	7	6.392-076.0	20 m				Automatic stainless steel hose reel. With swivel holder. Suitable for 20 m high-pressure hose.	<input type="checkbox"/>
ABS hose reel stainless steel	8	6.392-122.0	20 m				High-grade, automatic steel hose reel. Especially suitable for use in the food industry. The material and finish provide for a corrosion-resistant, watertight capsuled sprong drive. Connection for HP hoses with nipple.	<input type="checkbox"/>
Add-on kit hose reel TR 40m	9	6.392-442.0	40 m				Automatic hose reels provide the highest level of safety and convenience for winding and unwinding HP hoses. Compatible high-pressure hose, e.g. order no. 6.110-076.0 (ID 8, 40 m, 400 bar, 1x hose reel connection attachment kit).	<input type="checkbox"/>
Swivel holder	10	2.639-931.0					Swivel holder for automatic hose reel wall mounting. For maximum action radius and flexibility of high-pressure hose. Rotatable 120°. Galvanised steel.	<input type="checkbox"/>
ABS wall fastening stainless steel	11	2.641-867.0					Swivelling wall bracket made of high-grade steel (for 2.641-866). This makes maximum flexibility and convenience possible when working with the HP hose.	<input type="checkbox"/>

■ Included in delivery. □ Available accessories. ▲ Extension hose.

HD 10/25-4 S EASY! 1.286-902.0

KÄRCHER

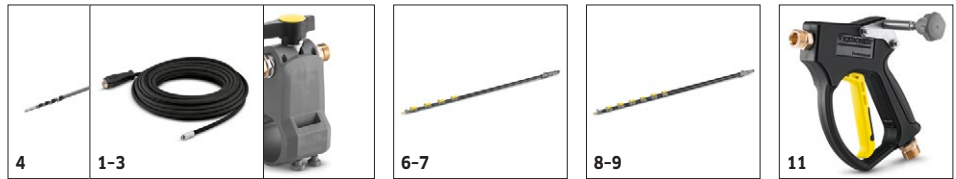


		Order No.	Flow rate	Feed temperature	Length	Length	Price	Description	
Teleskopstangen									
iSolar TL 14 C (without hose)	1	4.110-002.0		max. 60 °C				Full carbon telescopic rod for maximum rigidity with minimal weight. With 14 m max. reach and practical quick-release couplings for easy extension and retraction.	<input type="checkbox"/>
iSolar TL 10 C (without hose)	2	4.110-007.0		max. 60 °C				The full carbon telescopic lance offers maximum rigidity with minimal weight. It has a reach of up to 10 m and is fitted with practical quick-release couplings - for convenient extension and retraction. The speed is regulated via ball tap, guaranteeing easy handling. For occupational safety reasons, the lowest lance element is made from a carbon-fibreglass mixture for electrical insulation.	<input type="checkbox"/>
iSolar TL 10 H (without hose)	3	4.110-003.0		max. 60 °C				Telescopic rod made from a carbon/fibreglass mixture for maximum rigidity with minimum weight. With 10 m max. reach and practical quick-release couplings for easy extension and retraction.	<input type="checkbox"/>
iSolar TL 7 H (without hose)	4	4.110-004.0		max. 60 °C				Telescopic rod made from a carbon/fibreglass mixture for maximum rigidity with minimum weight. With 7.2 m max. reach and practical quick-release couplings for easy extension and retraction.	<input type="checkbox"/>
Ball valve	5	4.580-097.0		max. 40 °C					<input type="checkbox"/>
Telescope lance glass fibre 7 m	6	4.762-609.0		max. 60 °C					<input type="checkbox"/>
Telescope lance hybrid 7 m	7	4.762-610.0		max. 60 °C					<input type="checkbox"/>
Telescope lance hybrid 10 m	8	4.762-611.0		max. 60 °C					<input type="checkbox"/>
Telescope lance carbon 10 m	9	4.762-612.0		max. 60 °C					<input type="checkbox"/>
Telescope lance carbon 14 m	10	4.762-613.0		max. 60 °C					<input type="checkbox"/>
Pistol	11	4.775-154.0		max. 60 °C					<input type="checkbox"/>

■ Included in delivery. □ Available accessories. ▲ Extension hose.

HD 10/25-4 S EASY! 1.286-902.0

KÄRCHER



		Order No.	Flow rate	Feed temperature	Length	Length	Price	Description	
Schläuche									
iSolar HP hose 7	1	6.392-978.0		max. 155 °C				High-quality, flexible HP hose (with rubber covering) for the iSolar TL 7. The outer layer has especially good sliding properties when extending and retracting the telescopic rod.	<input type="checkbox"/>
iSolar HP hose 10	2	6.392-977.0		max. 155 °C				High-quality, flexible HP hose (with rubber covering) for the iSolar TL 10. The outer layer has especially good sliding properties when extending and retracting the telescopic rod.	<input type="checkbox"/>
iSolar HP hose 14	3	6.392-976.0		max. 155 °C				High-quality, flexible HP hose (with rubber covering) for the iSolar TL 14. The outer layer has especially good sliding properties when extending and retracting the telescopic rod.	<input type="checkbox"/>

■ Included in delivery. □ Available accessories. ▲ Extension hose.

HD 10/25-4 S EASY! 1.286-902.0

KÄRCHER



		Order No.	Nozzle size				Price	Description	
Wet blasting attachment (without nozzle)									
Wet blasting attachment with flow control (without nozzles)	1	4.115-000.0						Paint, rust and scale removal made easy: Kärcher wet blasting attachment with flow control for adding blasting abrasive to the high-pressure jet.	<input type="checkbox"/>
Wet blasting attachment without flow control (nozzles not included)	2	4.115-006.0						Paint, rust and scale removal made easy: Kärcher wet blasting attachment with flow control for adding blasting abrasive to the high-pressure jet. Without flow control.	<input type="checkbox"/>
Nozzle pack for wet blasting attachment									
Nozzle pack TR wet jet set 0050	3	2.112-023.0	50					Nozzle kit with wet blasting nozzle and nozzle insert (type specific). For optimal Kärcher wet blasting attachment performance. Only in combination with wet blasting attachment.	<input type="checkbox"/>
Boron carbide nozzle									
Boron carbide nozzle, for machines as of 1000 l/h	4	6.415-083.0	8 mm					In addition to nozzle packs. Very wear-resistant nozzle with boron carbide chuck for continuous-duty operation.	<input type="checkbox"/>

■ Included in delivery. □ Available accessories. ▲ Extension hose.

HD 10/25-4 S EASY! 1.286-902.0



		Order No.					Price	Description	
Crane lifting kit									
Crane loading kit for HD super class	1	2.640-438.0						Effortless loading by crane.	<input type="checkbox"/>

■ Included in delivery. □ Available accessories. ▲ Extension hose.

HD 10/25-4 S EASY! 1.286-902.0

KÄRCHER



1



2



10

		Order No.					Price	Description	
Geka coupling									
Geka connector with hose barb, R 1"	1	6.388-465.0						with hose barb	<input type="checkbox"/>
Geka connector with internal thread, R 1"	2	6.388-458.0						with female thread	<input type="checkbox"/>
Suction filter									
Water suction filter	3	6.414-956.0						Suitable for ponds, storage tanks or similar, polyamide filter casing, stainless steel strainer, 800 µm mesh, R 3/4" and R 1" connection, without non-return valve	<input type="checkbox"/>
Suction filter with check valve	4	4.730-012.0						Brass suction filter suitable for ponds, storage tanks, etc. With check valve.	<input type="checkbox"/>
Fine-mesh water filter									
Add-on kit water filter universal	5	2.637-020.0							<input type="checkbox"/>
Fine-mesh water filter with adapter	6	4.730-102.0						Fine-mesh water filter, 125 µm, max. temperature 50°C. Protects the high-pressure cleaner from dirt particles contained in the water. Water flow rate up to 1200 l/h. Connection 3/4", with adapter, 1".	<input type="checkbox"/>
Fine-mesh water filter, 100 µm, R 1"	7	2.638-270.0						Fine-mesh water filter, 100 µm, max. temperature 60°C. Connects to high-pressure cleaner. Protects the high-pressure cleaner from dirt particles contained in the water. Water flow rate up to 1200 l/h. Connector 1".	<input type="checkbox"/>
Water supply hose									
Water supply hose	8	4.440-207.0						NW 19 R1" / R 3/4", up to 85 °C, for pick-up	<input type="checkbox"/>
	9	4.440-270.0						NW 19 R1" / R1", up to 85 °C	<input type="checkbox"/>
Backflow check valve									
Backflow preventer	10	2.641-374.0						To prevent detergent getting into the drinking water cycle in case of inlet at low-pressure. - hot water resistant up to 80 °C - tested according to IEC 60335-2-79 - integrated leakage protection	<input type="checkbox"/>

■ Included in delivery. □ Available accessories. ▲ Extension hose.

HD 10/25-4 S EASY! 1.286-902.0

KÄRCHER



		Order No.	Flow rate				Price	Description	
Push-on washing brush									
		1	4.113-001.0					Push-on wash brush for universal use. Simply push on to lance. Connector: M 18 x 1.6.	<input type="checkbox"/>
Rotating washing brush									
		2	4.113-002.0	800 - 1300 l/h				Driven by water stream. Gently removes fine dust and traffic film from any surface. Temperature resistant up to 60°C, M 18 x 1.5 (replaceable brush insert).	<input type="checkbox"/>
		3	4.113-005.0	800 - 1300 l/h					<input type="checkbox"/>

■ Included in delivery. □ Available accessories. ▲ Extension hose.