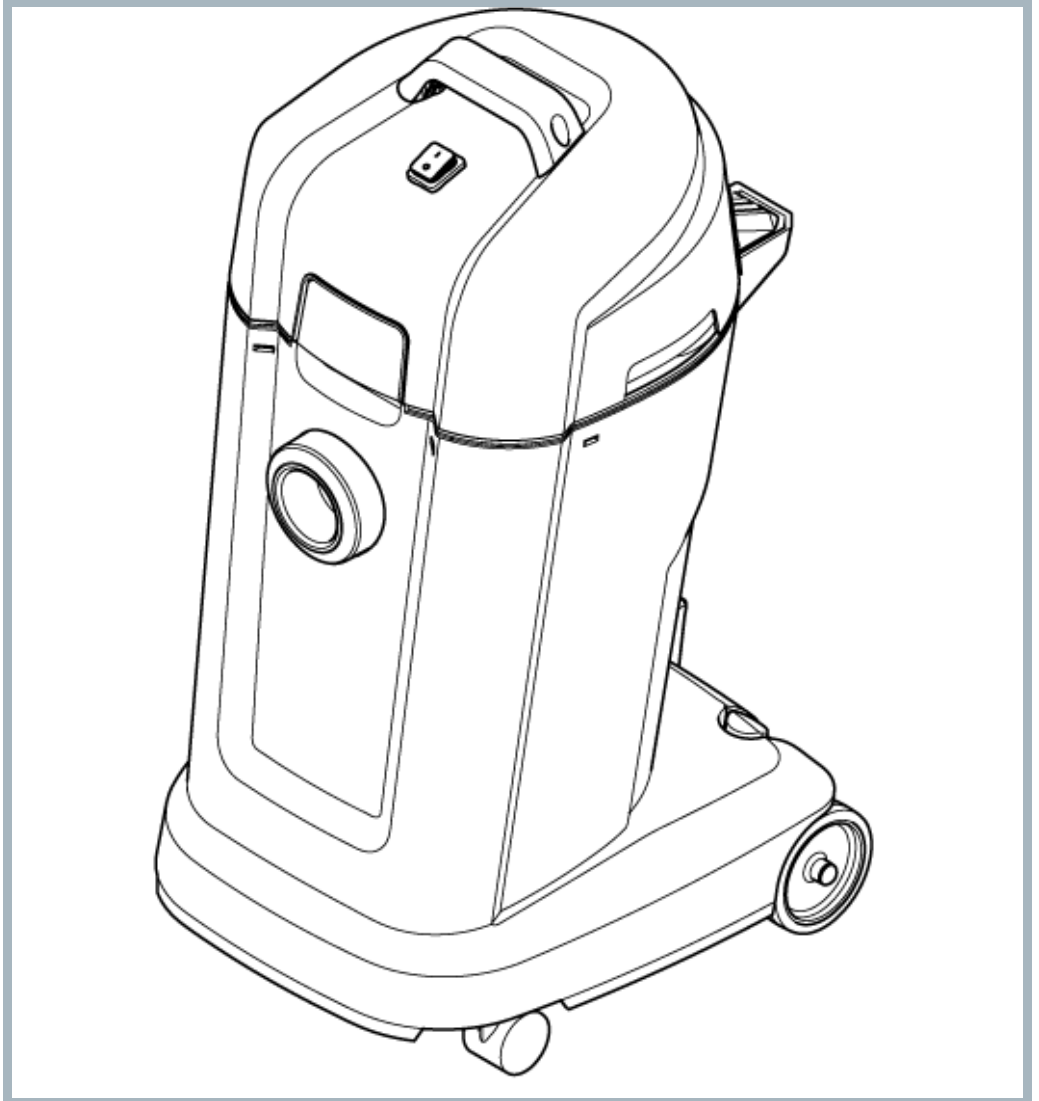


VL500-35

Model:

VL500 - 35B - Nilfisk

VL500 - 35E - Nilfisk



Part List English

07-01-2014

Table of Contents

VL500-35

Top 35	3
Container 35 BSF, BDF, EDF	5
Filters and bags 35	7
Recommended spare parts 35	9
Accessories	11

Top 35

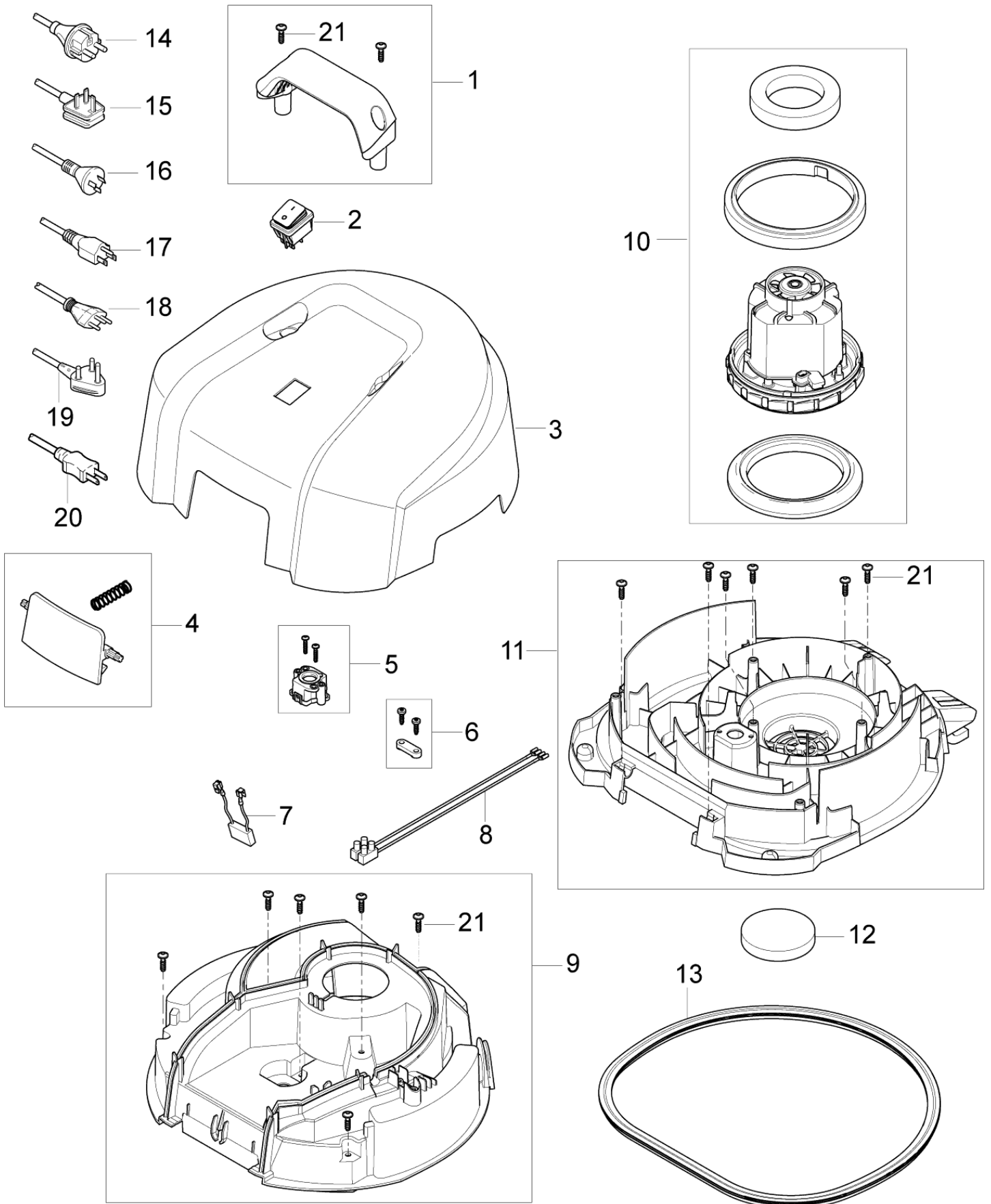
VL500-35

07-01-2014

Part List ID

VL50002

3



Top 35

VL500-35

07-01-2014

Part List ID
VL50002

4

Pos	Part no.	Qty	Description
0	107410810	1	PACKAGING VL500/MAXXI 35 - KIT
01	107407233	1	HANDLE F. 35L BIN VL500
02	107404540	1	SWITCH 0-1 DOUBLE POLE SET
03	107407305	1	HOOD 35L VL500
04	107407235	1	CLAMP F. 75-55-35 L BIN VL500
05	107407237	1	VACUUM VALVE CPL.
06	140 6560 500	1	ANTI STRAIN CLIP
07	48338	1	FILTER was 47326
08	140 7042 500	1	WIRE, INTERNAL FOR GWD 300
09	107407238	1	CLAMPINGPLATE 35L
10	302003384	1	Turbine kit, 1200W 230V
10	302003388	1	TURBINE KIT 1000w 120v
11	107407239	1	BASEPLATE
12	140 8682 500	1	MOTOR FILTER GD 320/GWD 300 SERIES
13	107407241	1	GASKET F. BASEPLATE 35L
14	12222501	1	CORD SET EU L 10M
15	12222503	1	CORD KIT UK 10M
16	12222506	1	CORD SET AU/NZ L 10M
17	107401614	1	CORD SET US/TW 3C 15.5M YELLOW
18	12222507	1	CORD SET CH L 10M
19	107407242	1	POWER CORD H05VV-F 2X1.00 SABS 164-1 16A ZA
20	140 6702 500	1	CORD SET JP 15.5M
21	302003704	8	SCREW EJOT DELTA PT50X18WN5451

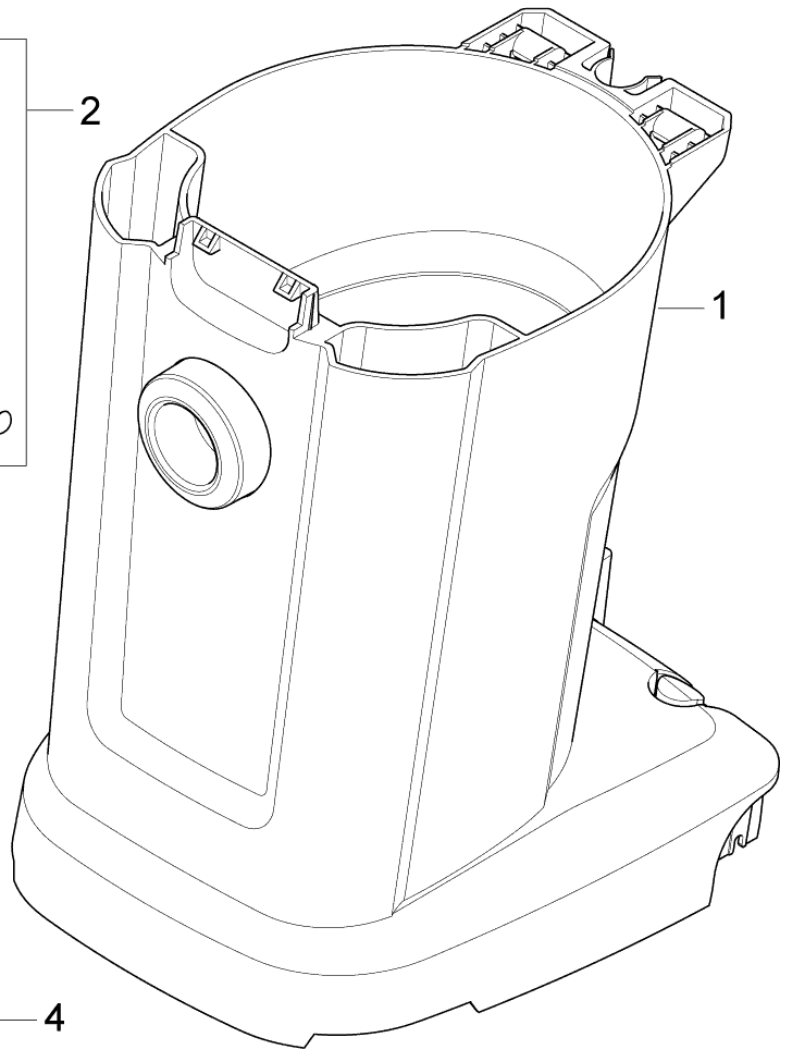
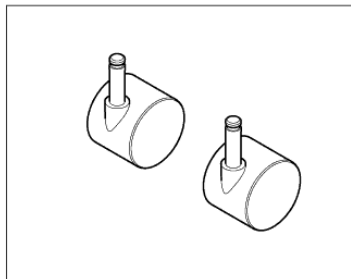
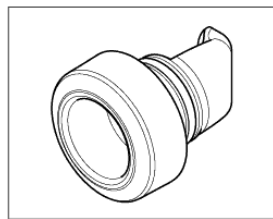
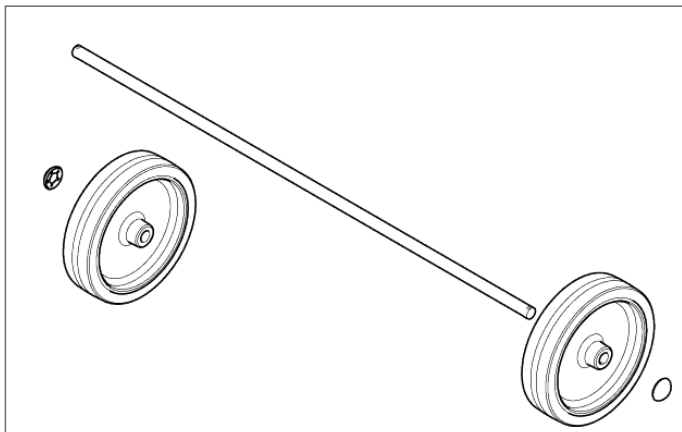
Container 35 BSF, BDF, EDF

VL500-35

07-01-2014

Part List ID
VL50008

5



Container 35 BSF, BDF, EDF

VL500-35

07-01-2014

Part List ID
VL50008

6

Pos	Part no.	Qty	Description
1	107407256	1	CONTAINER WITH TROLLEY 35L VL500
2	140 8446 600	1	WHEEL REAR 2 PCS GD 320, GWD 320, GWD 335
3	107407258	1	INLET ROUND VL500
4	140 6422 500	1	LINK WHEELS KIT 2 WHEELS

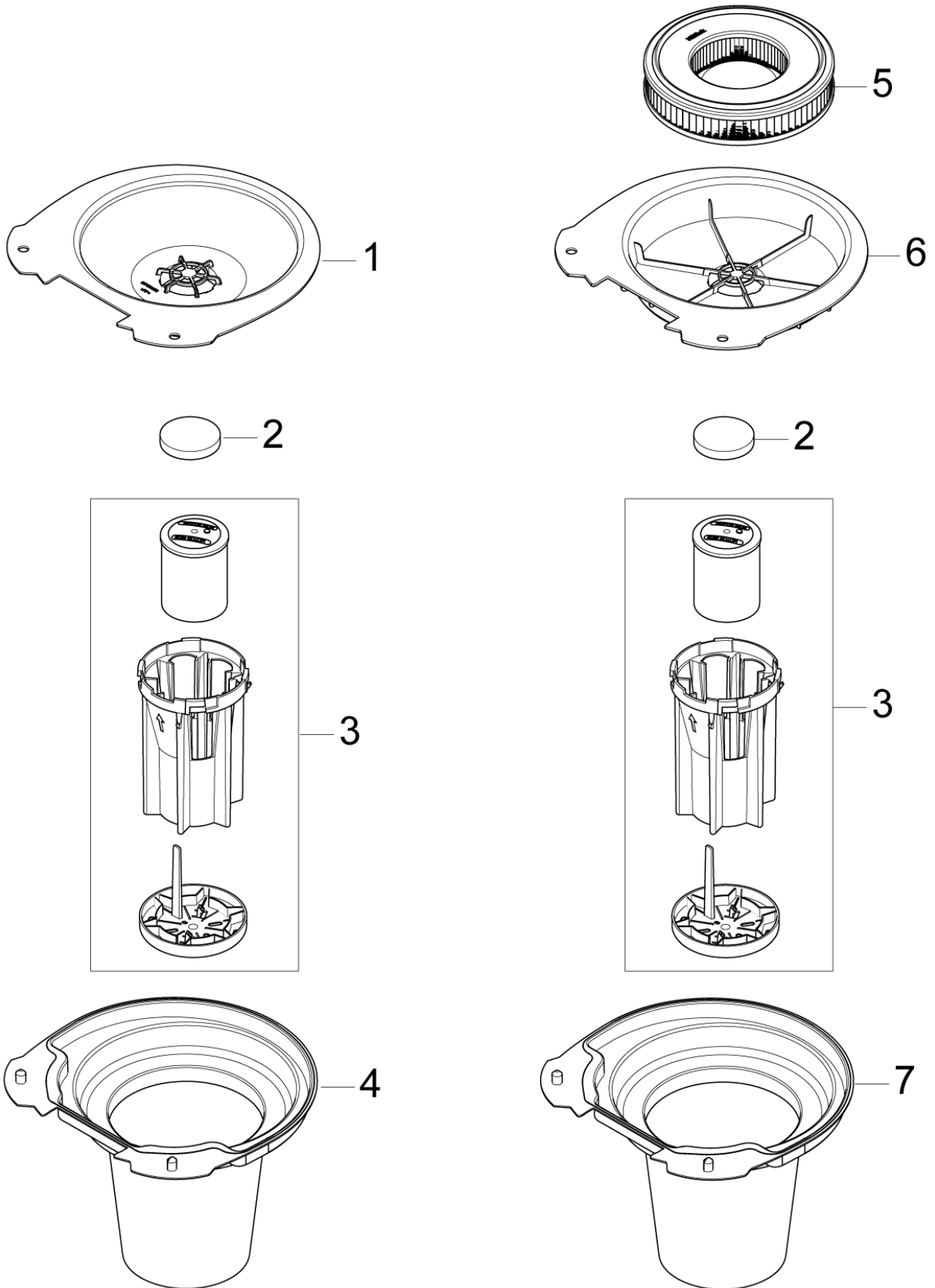
Filters and bags 35

VL500-35

07-01-2014

Part List ID
VL50020

7



Filters and bags 35

VL500-35

07-01-2014

Part List ID
VL50020

8

Pos	Part no.	Qty	Description	
1	107407295	1	FLOATER ADAPTER 35L	BSF
2	140 8682 500	1	MOTOR FILTER GD 320/GWD 300 SERIES	
3	140 8680 500	1	FLOAT BASKET GWD 300 SERIES	
4	107407296	1	SACK FILTER	BSF
5	107407297	1	CARTRIGE FILTER 35L	BDF, EDF
6	107407298	1	DRYFILTER BOX 35L	BDF, EDF
7	107407299	1	WET FILTER 35L	BDF, EDF

Recommended spare parts 35

VL500-35

07-01-2014

Part List ID
VL5003526

9

No Drawing For Part List

Recommended spare parts 35

VL500-35

07-01-2014

Part List ID
VL5003526

10

Pos	Part no.	Qty	Description
	107404540	1	SWITCH 0-1 DOUBLE POLE SET
	107407235	1	CLAMP F. 75-55-35 L BIN VL500
	107407237	1	VACUUM VALVE CPL.
	107407258	1	INLET ROUND VL500
	107407293	1	EASY TILT 75L BIN LEFT-RIGHT
	107407295	1	FLOATER ADAPTER 35L
	107407296	1	SACK FILTER
	107407297	1	CARTRIGE FILTER 35L
	107407298	1	DRYFILTER BOX 35L
	107407299	1	WET FILTER 35L
	12222501	1	CORD SET EU L 10M
	140 6422 500	1	LINK WHEELS KIT 2 WHEELS
	140 8446 600	1	WHEEL REAR 2 PCS GD 320, GWD 320, GWD 335
	140 8680 500	1	FLOAT BASKET GWD 300 SERIES
	140 8682 500	1	MOTOR FILTER GD 320/GWD 300 SERIES
	302003384	1	Turbine kit, 1200W 230V
	302003388	1	TURBINE KIT 1000w 120v
	302003704	1	SCREW EJOT DELTA PT50X18WN5451
	48338	1	FILTER was 47326

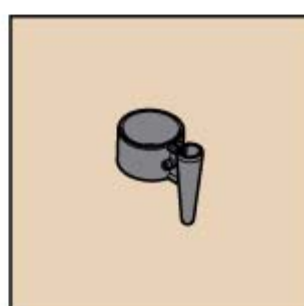
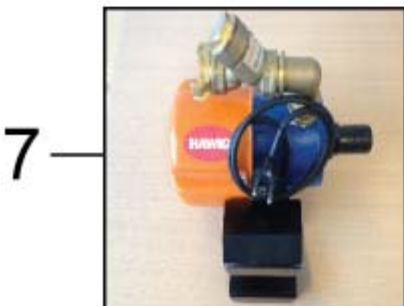
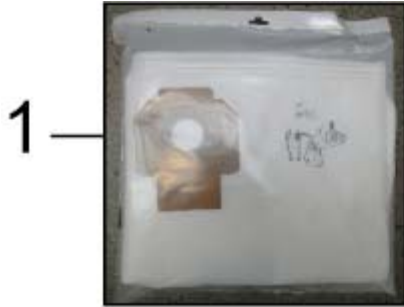
Accessories

VL500-35

07-01-2014

Part List ID
VL500ADV12

11



Accessories

VL500-35

07-01-2014

Part List ID
VL500ADV12

12

Pos	Part no.	Qty	Description	
1	302002892	1	FLEECE FILTERBAG PU 5 PCS	55 and 75
1	302004004	1	FLEECE FILTER BAG ATTIX 40/50 SET X 5	35
2	107407308	1	HOSE D32 1.9M CPL	
2	107407336	1	HOSE D40 2.5M CPL	
3	107407310	1	FLOOR NOZZLE D32 RUBBER STRIP	
3	107407311	1	FLOOR NOZZLE D32 BRUSH	
3	107407338	1	FLOOR NOZZLE D40 RUBBER STRIP	
3	107407339	1	FLOOR NOZZLE D40 BRUSH	
4	107407309	1	EXTENSION TUBE D32 - SS	
4	107407337	1	EXTENSION TUBE D40 - SS	
5	107407334	1	CREVICE NOZZLE D32	
5	107408850	1	CREVICE NOZZLE D40	
6	107407312	1	BRUSH NOZZLE D32	
7	107408801	1	PUMP KIT - NIAGARA 220- 240V	
8	107407335	1	TUBEHOLDER D40	