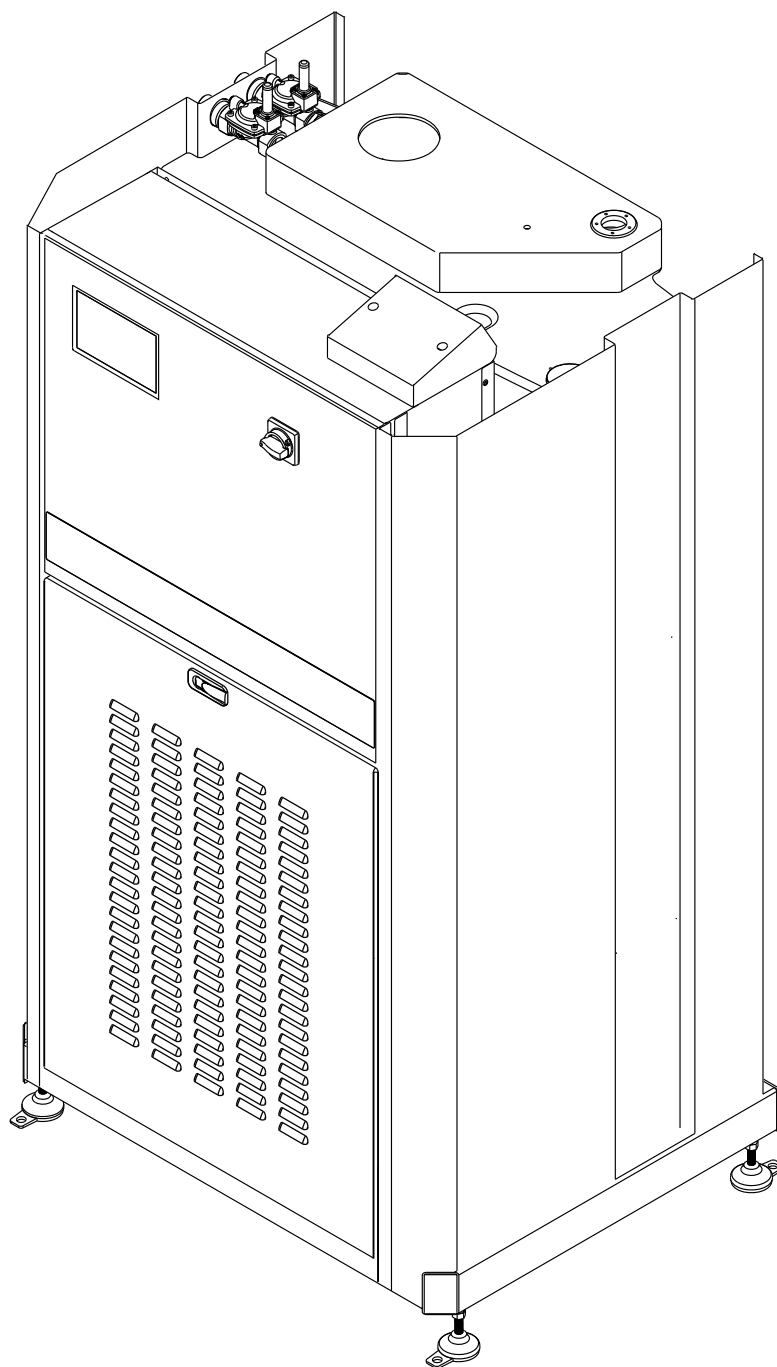


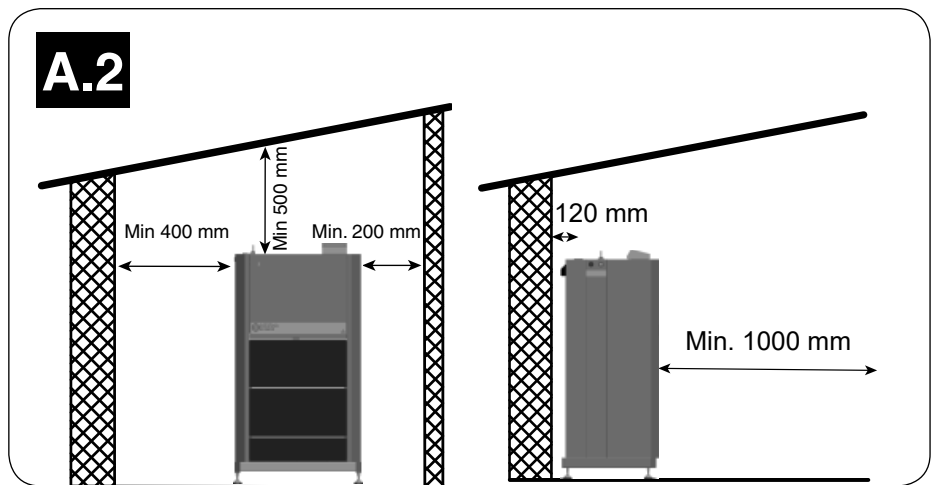
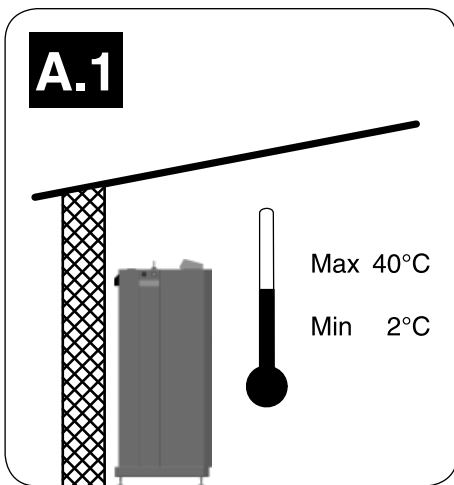
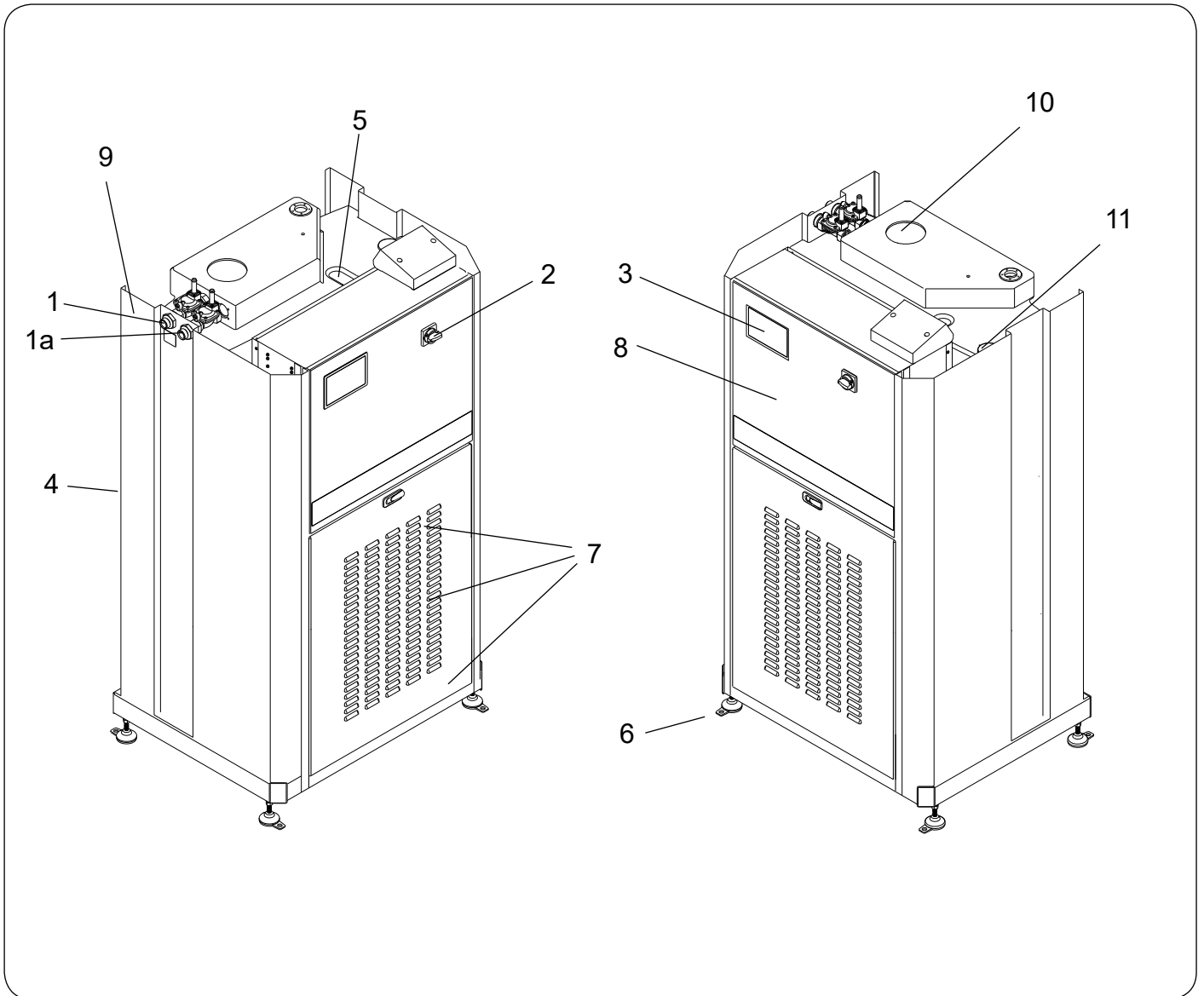
SC DELTA

Instructions for use



(EN)	Operating instructions	7
(DE)	Bedienungsanweisungen	15
(FR)	Instructions de fonctionnement	23
(ES)	Instrucciones de funcionamiento	32
(RU)	Руководство по эксплуатации	40
(DA)	Betjeningsvejledning	49

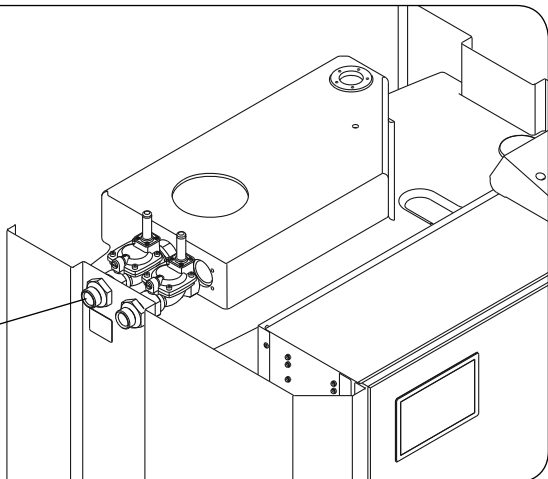
A



A

A.3

1



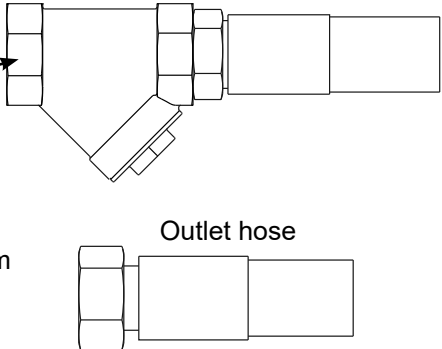
A.3.1

Inlet

1 1/4" BSP

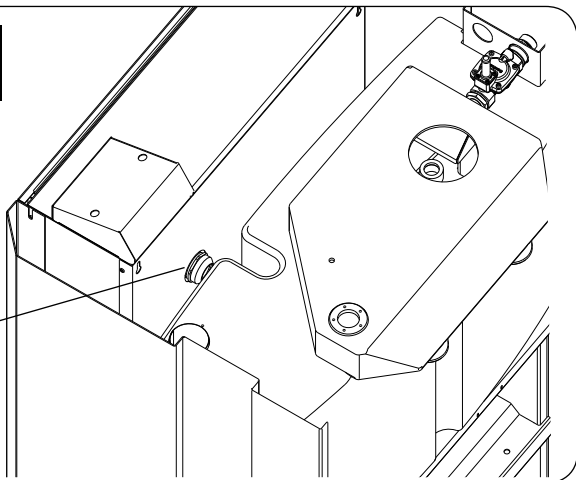
DKO 28
NUT M36x2 mm

Outlet hose

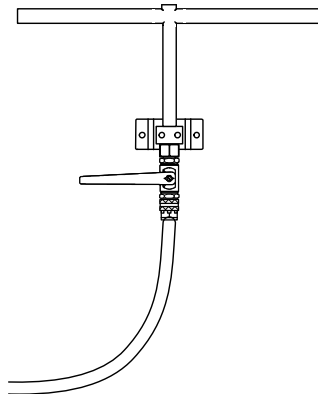


A.4

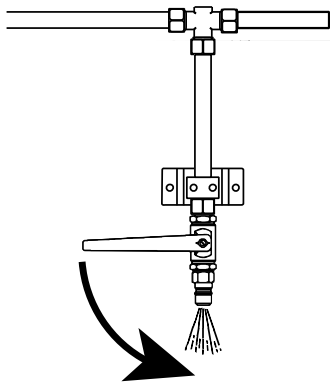
1



A.5

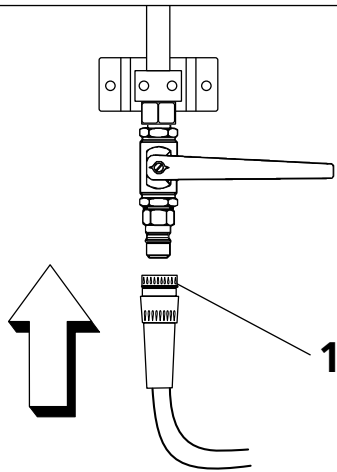


A.6

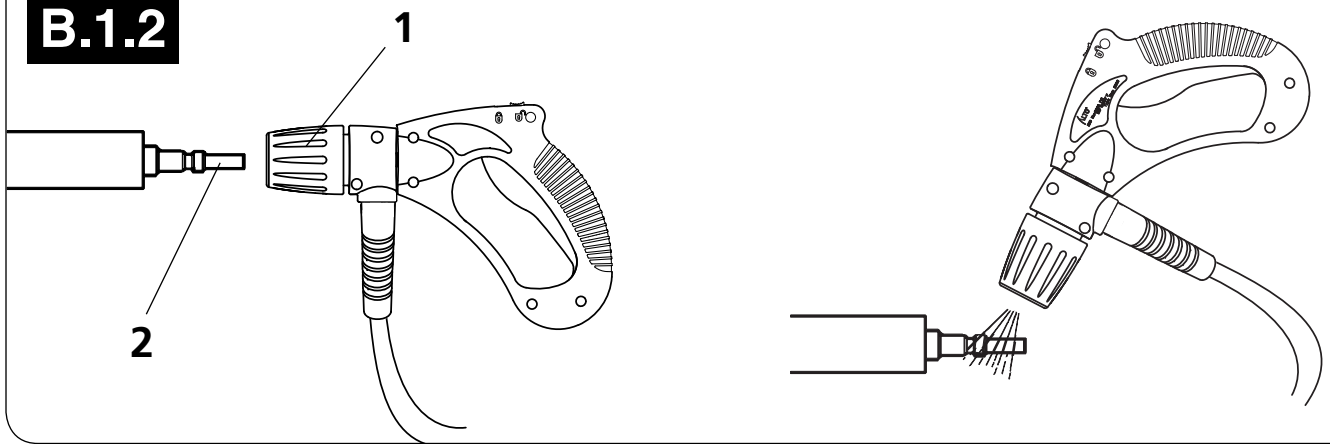


B

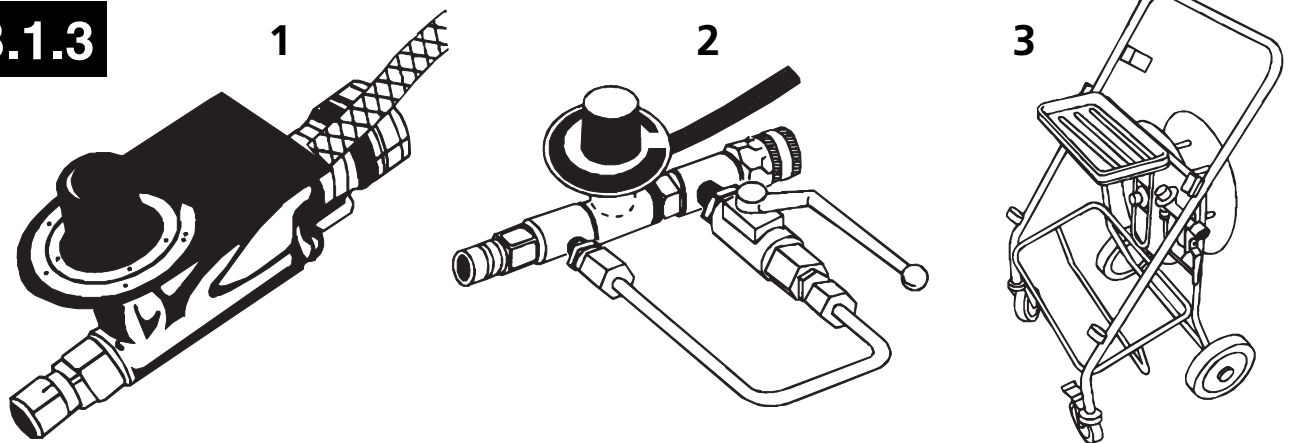
B.1.1



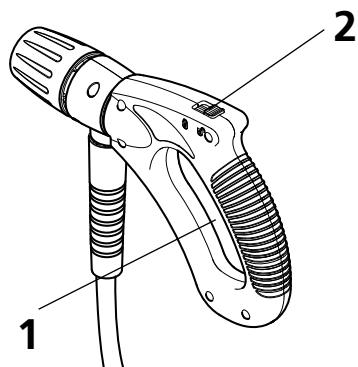
B.1.2

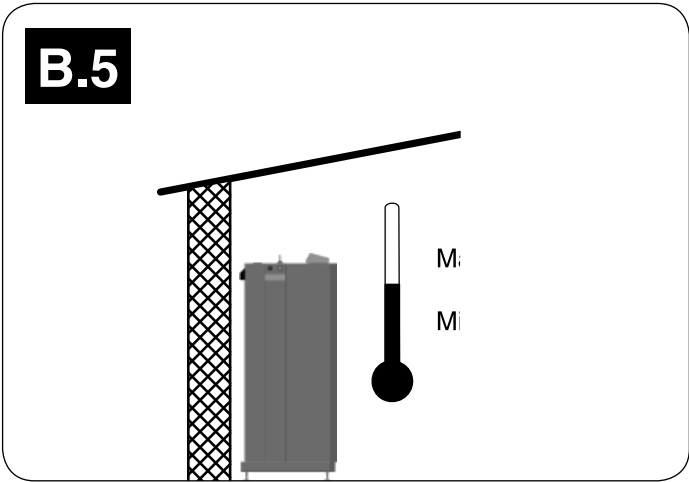


B.1.3

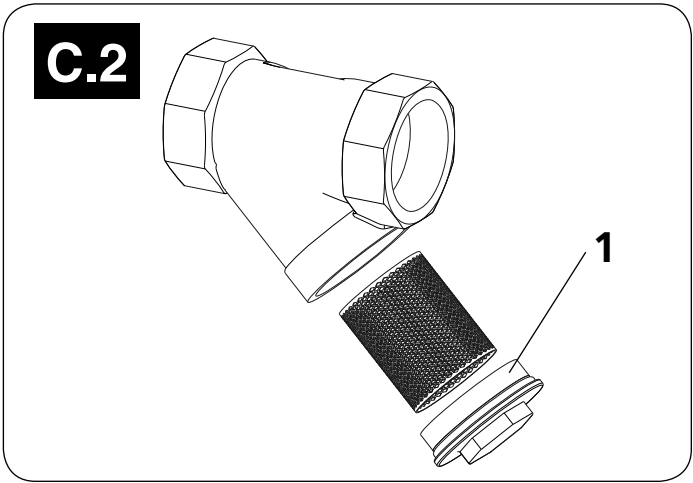
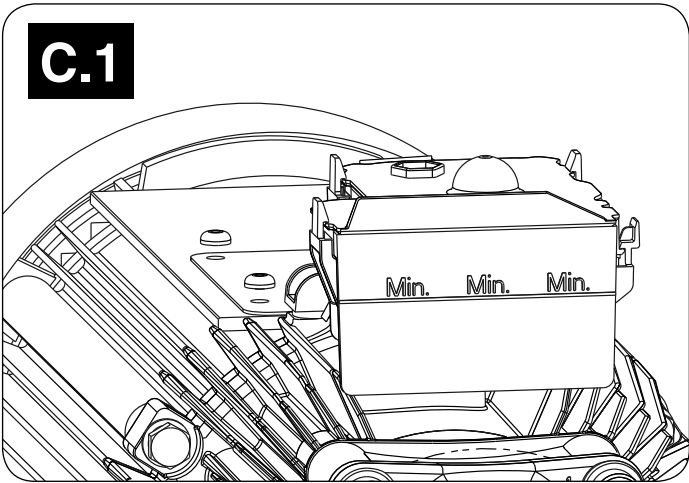


B.3





C



Operating Instructions

This high pressure washer has been developed for professional use within:

- agriculture, light industry, transport, building and construction, service

Only use the high pressure washer for purposes described in this manual.

Regarding the following sections:

A - Installation

B - Operation

C - Maintenance

please refer to pictures in front of the manual.

A - Installation

Before starting

DO READ SAFETY INSTRUCTIONS BEFORE USE!

The **SC DELTA** is a flexible pump station capable of supplying several simultaneous users with pressurized cold / hot water through a pipeline. The **SC DELTA** has been pre-adjusted for a certain line pressure which is also the maximum working pressure.

Operating elements:

1. Water connection with filter
 - 1.a Hot (option)
2. Main switch
3. Display
4. Connection of pipe system
5. Electric cable, mounting
6. Adjustable feet (m12)
7. Cabinet
8. E-box
9. Type plate
10. Inspection plug, water tank
11. Filter, water tank

A.1 Temperature conditions

The machine should be installed in a frost-free room. This applies to pump as well as pipelines incl. of outlet points. Concerning outdoor outlet points it should be possible to close and empty that part of the line which is exposed to frost.

The machine generates heat. Please ensure sufficient ventilation so that the ambient temperature does not exceed 40°C.

1 pump generates around 1 kW heat - 6 pumps 6 kW.

A.2 Condition of distance

In consideration of the cooling system of the machine and the accessibility of service, there must be free wall space on both sides of the machine. To the right 200 mm at a minimum and to the left 400 mm at a minimum.

For service there must be at least 1000 mm in front of the machine and 500 mm above the machine.

A.3 Water connection

The water connection is made through a flexible hose connected to the water inlet(s) (1) of the machine.

The connection can be made to a water supply network or an internal water supply. A shut-off cock should be mounted on the water supply network in the immediate vicinity of the machine.

Max. water pressure: 10 bar

Min. water pressure: 2 bar

Max. water inlet temp.: See label on machine by the water inlet.

See A.3.1 for dimensions.

On the back side of the machine there are 2 hoses attached to the water tank. These are overflow hoses in case of a malfunction in the water tank.

The two hoses must not be blocked.

If there is a risk of running sands or other impurities in the inlet water, a sand filter (50 micron) should be mounted beyond the internal filter of the machine (for further connection data see section **Technical Specifications**).

Clean the water inlet filter once a month or as needed. See C.2.

Note: If option/accessory cold/hot inlet mix is mounted, the temperature out of the machine cannot be lower than the temperature on the cold inlet (blue point) on the machine.

A.4 Mains power connection

The power system of the **SC DELTA** is designed in conformity with the common European standard:

EN 60204-1:2006+A1:2009: Electrical equipment of machines, Part 1: General requirements.

Power should be connected through a flexible rubber cable holding copper conductors for 3 phases and earth (PE). The minimum dimensions of the cable are determined by the power consumption of the current system (cf. data sheet), but common to all systems is the following:

Max pre-fuse:	125 A
Max core section of cable:	35 mm
Min core section of cable:	25 mm

A.4.1 Installation of the main power supply

- Installation of the machine should be carried out by authorized engineer

Equipment to protect the user against electrical shock, should be installed and designed to fulfil the authority requirement for the actual location of the machine, this protection can be done with fuses or Residual Current Device.

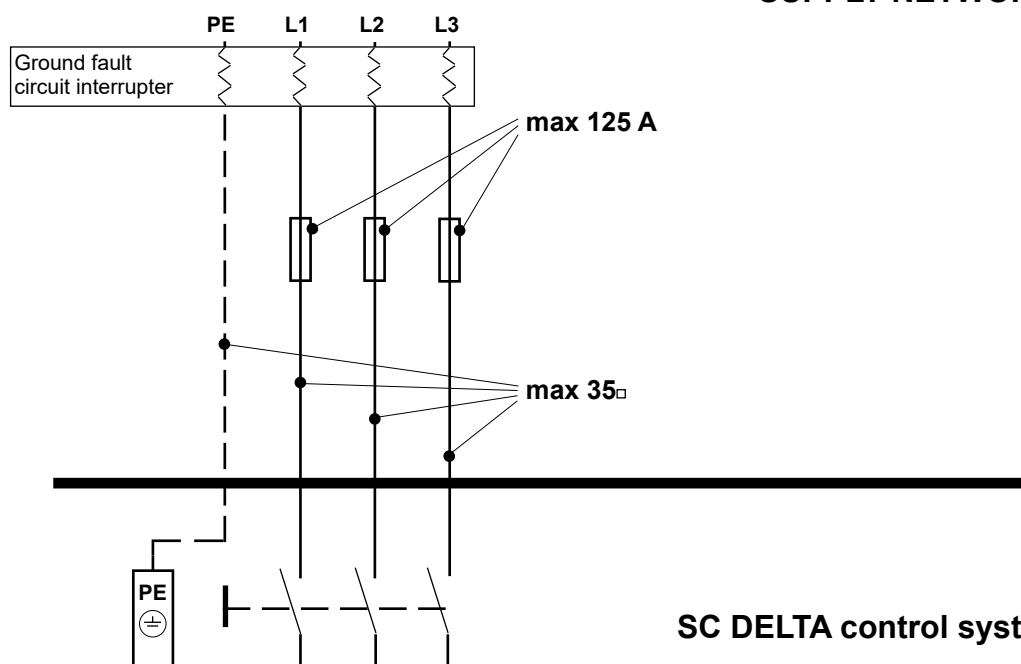
Note: High leakage current because of inverter.

The power supply cable, minimum 4G25mm², must be connected to the machine through the cable gland in the back of the E-box (1). The wires L1 – L2 – L3 are connected to the main switch –S1, connection points 2 – 4 – 6 on the switch, Earth wire is connected to the main earth terminal placed next to the main switch.

A.4.2 First activation of the main switch with connected main power supply

Before the main switch is turned on, open the E-box and check the below points.

SUPPLY NETWORK



- Measure the level of the input voltage and compare it to the machine specifications.
- Turn on the circuit breakers -F1, -F2 and -F3.
- Turn on the overload protection units for the MPU's and the frequency inverter -F4 to -F10.
- Close the E-box and turn the two locks to locked position by using the supplied key.

A.5 High pressure connection

IMPORTANT: When connecting to a pipeline always use the flexible hose connection from the outlet of the machine.

The outlet of the machine can be connected to a pipeline with fixed outlet points.

The pump station and outlet points should be placed so that the lines become as short as possible.

- The line should be arranged with as few bends as possible.
- Sometimes it may pay to split the line close to the pump station so the lengths conducting large volumes of water become as short as possible. A centre location of the pump station in relation to the outlet points would also lead to smaller pipe dimensions.
- Pipe lines should be placed on walls of tile or concrete, otherwise great care should be taken (reinforcement plates etc.)
- Pipe lines should be placed so that damage is prevented (collision, frost, extreme attacks of corrosion, etc.)
- Pipe lines should be fitted in a visual location everywhere or so that they may easily be inspected. Lines should not be incorporated in walls or floors. When leading through walls be careful not to be enclosed. (Special lead-in bushes are available)
- The outlet points should be placed as close to the operation point as possible and so that a hose length preferably of 20 m is used.

It is recommended to let a service technician authorized by Nilfisk prepare the pipeline.

A.6 Venting

Start the machine and open all high pressure cocks on the pipeline until all air has escaped. Start with the remotest high pressure cock.

Please note that the cock should be closed for a short time before opening it again. The latter is done in order to prevent the leakage stop from being activated when venting long pipelines.

Note! The machine may be protected with an antifreeze from the factory. If antifreeze in the machine - catch the first litres until the fluid is clear water. Collect the water in a container for re-use.

B.1 Connections

B.1.1 High pressure hose on pipe system

The Nilfisk high pressure hose with imprinted max. working pressure and temperature should be attached to the outlet connection of the pipe system by the quick coupling (1).

Danger of scalding!

Never dismount high pressure hoses at water temperatures above 50°C.

IMPORTANT: Prior to dismounting of the high pressure hose the machine should be stopped and the shut-off cock closed. Then activate the trigger of the spray handle to relieve the high pressure hose of pressure.

B.1.2 Spray handle - accessories

1. Pull forward the quick coupling trigger (1) of the spray handle.
2. Insert the nipple of the spray lance (2) in the quick coupling and release the trigger.

- Pull forward the spray lance or any other accessory to ensure correct mounting before starting the machine.

NOTE! Clean nipple of any impurities each time the spray lance has been dismantled.

B.1.3 Application of detergents (external, only 160 bar machines)

If you want to apply detergents or disinfectants these should be dosed to the water through an injector. In conjunction with the injector it may be advantageous to use a wall rack on which spray lances, 2 pcs. of 25 l containers as well as 10 m high pressure hose can be placed.

Below you will find various types of outlet points with injectors.

1. Outlet point with detachable injector

To be attached to the quick coupling of the high pressure cock.

To be used for dosing of low-foaming detergents or disinfectants.

Dosage 1-8%.

2. Outlet point with detachable foam injector

To be attached to the quick coupling of the high pressure cock.

To be used in conjunction with foam lance for application of high-foaming detergents or disinfectants.

Dosage 1-5%.

3. Outlet point with cleaning trolley and foam injector

To be attached to the quick coupling of the high pressure cock.

To be used in the same way as "Outlet point with detachable foam injector".

Makes it possible to place 4 spray lances, 2 pcs. of 25 l containers as well as 20 m high pressure hose.

B.2 Start

B.2.1 First activation of the main switch with connected main power supply

By turning the main switch to ON position the control system will start the self-validation procedure and start up the display, please note that there is a start-up delay on the display.

In the self-validation mode, the water tank is filled up with water and all the protection circuits are checked. The green circle around the start button will flash.

If the water tank is not filled up in 4 minutes, the system will stop and the water supply needs to be checked. The water level in the water tank is shown on the display.

When the water tank is filled with water and the system is ready to start, the green circle will stop flashing.

B.2.2 Start/stop

Press the start button on the display (FIG.1 #3) and the green circle around the button will light up.

Press the stop button on the display (FIG.1 #4) and the

machine will stop and turn the green circle off.

When the start button is activated the machine will start up Motor Pump Unit (MPU) to reach the wanted pressure, it is shown on the display which MPU that is activated, the specific MPU-symbol (FIG.1 #8) lights up green. MPU's will automatically be turned on/off when output water flow is changed, and the frequency inverter will adjust the line pressure to the selected pressure. Actual line pressure is shown on the display (FIG.1 #2).

B.2.3 Line pressure adjustment

The line pressure from the machine can be adjusted. To adjust the pressure, push on the pressure value by the pressure adjustment tab on the display (FIG.1 #13) for 20 sec. then use the +/- tab to adjust to the wanted pressure and press OK to save the value or press cancel to undo the change. NOTE: If the pressure change is permanent, adjustment of the mechanic bypass valve is necessary.

B.2.4 Water tank

The water level will automatically be maintained by the control system, the inlet valve symbol will light up blue on the display when the inlet valve is activated. The actual water temperature is shown on the display (FIG.1 #1).

If the Cold/Hot option is mounted on the machine the water temperature is adjusted to the selected temperature, two valves are shown on the display, one for Cold inlet water and one for Hot inlet water, when the Cold valve is activated it lights up blue and when the hot valve is activated it lights up red. To adjust the temperature, push on the temperature value by the temperature adjustment tab on the display (FIG.1 #12) for 10 sec. and use the +/- tab to adjust to the wanted temperature and press OK to save the value or press cancel to undo the change.

B.2.5 Bypass system

When the output water flow is reduced, the bypass system will activate. When the bypass system is activated, the water will return to the water tank, the actually volume is shown on the display (FIG.1 #14), the bar light up and show the water volume, if 1/3 of the bar is blue on a 6 MPU machine, the water from two MPU's is returning to the water tank.

If more than one pump is active all the redundant pumps will stop after 8 seconds, if the outlet is completely closed the last pump will stop after 20 sec.

The machine is still active and starts up again when the line pressure drops below the start pressure.

B.2.6 Errors and warnings.

There are two types of failures in the control system on the machine:

- **Error:** Inverter error, Critical water level, All MPU deactivated, Inlet water flow low, low output pressure, High temperature water tank, remote or display communication failure. These errors will stop the machine immediately because it is critical for the machine or connected systems.
- **Warnings:** MPU oil level low, MPU thermic high temp, MPU overload protection activated, abnormal water level

in water tank, Slave #1 or #2 communication failure. These warnings won't stop the machine.

is active and the system will validate that the warnings is gone and set the system to normal status again.

The actual warning will be shown on the Display, to reset press the affected MPU or the water tank where the warning

The reset is done without stopping the machine totally.

B.2.7 Display

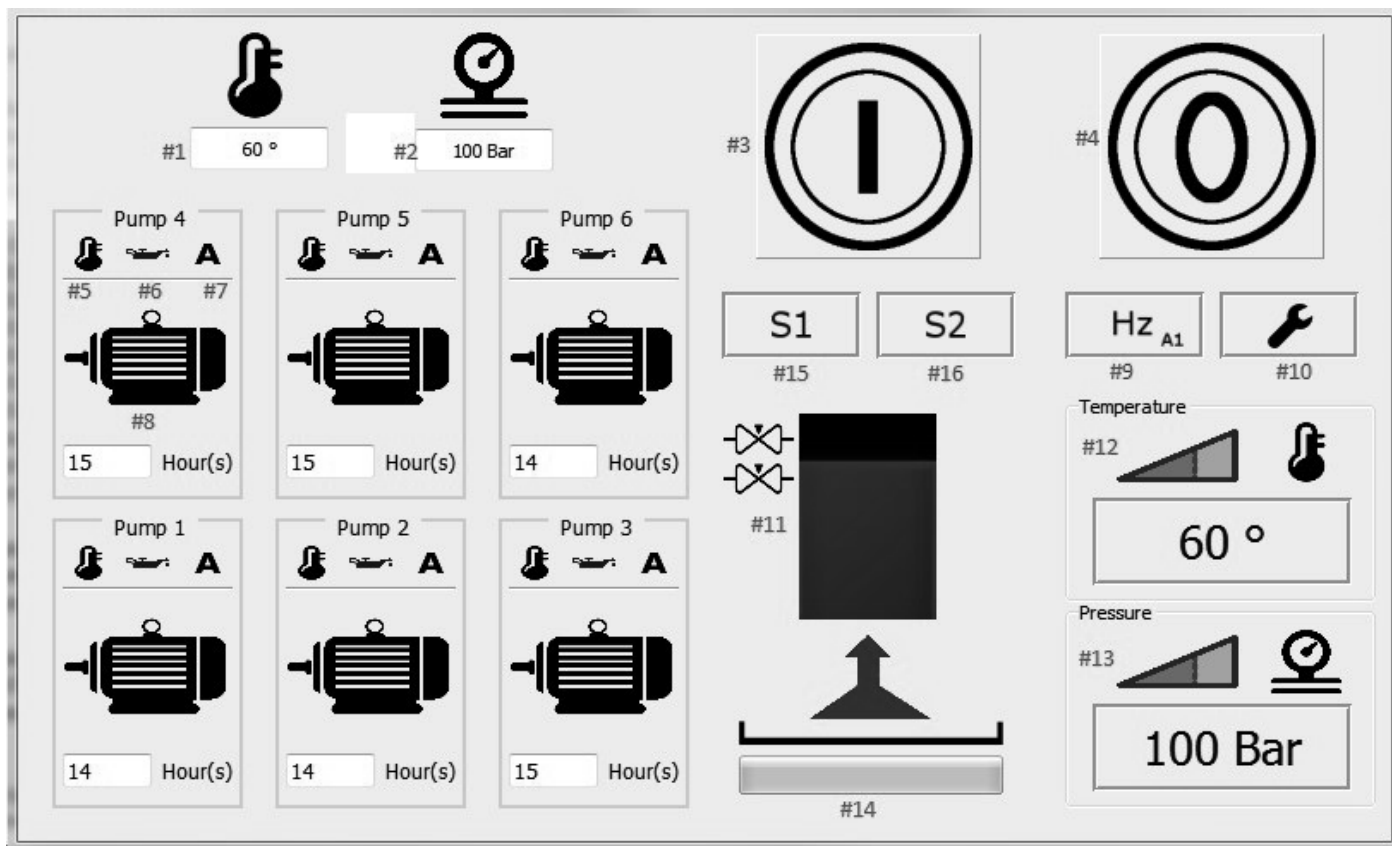


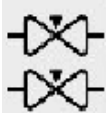




FIG. 1

Symbol	Ref #	Function	Signal	Action
	1	- Actual water temp. - Reset water temp. error	Red - water temperature error	- Check inlet water temperature - if OK, contact Service
	2	- Actual line pressure - Reset output pressure low limit (option)	Red - output pressure low limit error (option)	- Check water flow - Check available pumps
	3	- Start machine	Flash green - control system in self-validation mode. Green - machine active	
	4	- Stop machine - Reset warning / error	Flash red - system warning Red - system error	Check below points: - MPU oil level - MPU internal heat sensor - MPU overload protection - WBT below normal level - Inverter failure - Water level error
MPU 	5		Red - actual MPU#temperature warning	- Check air intake MPU
MPU 	6		Red - oil level low actual MPU#	- Check oil level

Symbol	Ref #	Function	Signal	Action
MPU A	7		Red - overload protection activated for actual MPU#	- Check power supply
MPU 	8	- Reset warning on actual MPU - Hour counter actual MPU	Flash red - MPU deactivated on the overload protection unit Green - MPU activated Highlighted square when reset is possible	- Before reset please make sure that the problem is solved
HZ _{A1}	9		Flash red - warning on inverter MPU (oil, temp., overload) Red - inverter failure	- Check MPU where the failure is down - Contact service
	10	- Service functions	Flash blue - 20 hours or less to next service Blue - service needed	- Contact service
Water tank 	11	- Reset low water level warning	Water tank square symbol: Blue - normal water level Yellow - warning water level Red - Critical water level Water inlet Valves: Blue - Cold water inlet open Red - Hot water inlet open	- Check water supply - Check water filter - Check water supply - Check water filter
Temp. 	12	- Adjust water tank temperature - Press the value (60°C) for 10 sec. to open the adjustment window (option/accessory)		
Pressure 	13	- Adjust the line pressure. - Press the value (100) for 20 sec. to open the adjustment window		
Backflow bar	14		Blue - the bar will be coloured to show the amount of water that flows back to the water brake tank. If 1/3 of the bar is blue on a 6 MPU machine, it means that 2 MPUs are bypassing water.	
S1	15		Red - failure on the 1. Slave machine. Only with master/ slave machines	- Check the UI Display on the 1. Slave machine to see the actual failure
S2	16		Red - failure on the 2. Slave machine. Only with master/ slave machines	- Check the UI Display on the 2. Slave machine to see the actual failure

B.3 Operation - automatic start/stop

Always hold the spray lance with both hands!

The machine is automatically activated when the trigger (1) of the spray handle is activated.

When the trigger is released, the machine automatically stops after 20 seconds.

When the machine is not in use, the trigger should be locked with locking device (2).

B.4 Stop

Danger of scalding!

Never detach high pressure hoses at a water temperature above 50°C.

Never detach the high pressure hose while the machine is in operation.

1. To stop the machine, push the red stop button (#4) and turn the main switch (2) to position - 0 -.

B.5 Frost protection

The machine should be installed in a frost-free room. This applies to pump as well as pipelines incl. of outlet points. Concerning outdoor outlet points it should be possible to empty that part of the line which is exposed to frost.

IMPORTANT: For safety reasons, hoses, spray lances and other accessories should always be thawed prior to use.

C - Maintenance

It applies to the most exposed components that a minimum of maintenance ensures a prolonged and problem-free operation. Therefore it will be a good idea to make a habit of the following:

Maintenance Schedule

	Weekly	After the first 50 operating hours	Every six months or 500 operating hours	As required
Checking pump oil level	●			
Changing pump oil			●	
Cleaning water filter	●			●

Prior to attaching the water hose and the high pressure hose, the quick couplings should be cleaned of dust and sand.

Prior to attaching the spray lance or other accessories to the spray handle, the machine should be started and the quick coupling cleaned of dust and sand.

C.1 Oil

Check the oil level in the oil glas.

If the oil level gets too low, the pump will automatically shut down and #6 will light up.

In the case of repeated low oil level (oil waste) please contact a Nilfisk service technician.

PROTECT THE ENVIRONMENT

Waste oil and oil sludge must be removed as laid down in the instructions.

C.2 Water filter

To avoid debris entering the high pressure pump, a water filter (fine) is fitted at the water inlet. Dependent on the purity of the water, this filter will have to be cleaned at regular intervals.

The filter can be removed when the plug (pos. 1) has been unscrewed.

There is also a filter in the tank (pos. 11). This filter can be removed by dismantling the two screws (torx 20).

Pull the filter up and out of the water tank. Clean the filter and remount it.

C.3 Cleaning of high pressure nozzle

A clogging up in the nozzle causes bad cleaning, and a cleaning of the nozzle is immediately required.

1. Stop the machine and detach the spray lance.
2. Clean the nozzle.
IMPORTANT: ONLY use the cleaning tool when the spray lance is detached.
3. Flush the spray lance backwards with water.
4. If the pressure is still too high, repeat items 1-3.

C.4 Disposable waste

This high pressure washer consists of parts which can affect the environment when thrown away. Parts that can pollute are as follows:

Oil, painted/zinc-coated parts, plastics/plastic-coated parts.

Therefore, it is important to follow the laws concerning the removal of polluting and dangerous materials when replacing spare parts or disposing of high pressure washer.

It is recommended that you bring the rejected parts to waste disposal areas or recycling plants that are approved for the destruction of these types of materials.

Troubleshooting

You have chosen the best quality and therefore deserve the best service. To avoid unnecessary disappointments, you should check the following before contacting the nearest Nilfisk service organisation:

Symptom	Reason	Action
Machine/pump will not start	<ul style="list-style-type: none"> > A fuse has blown > Power/plug not connected > Thermal switches in motor activated (red lamp flashes) #5 > Thermal relay switched off (red lamp flashes) #5 > Oil shortage in pump 	<ul style="list-style-type: none"> • Change the fuse. • Connect power/plug. • Let the motor cool. Start the machine and check that the working pressure is not too high and that the mains voltage corresponds to the specifications. • Refill with oil.
Fuses blow	<ul style="list-style-type: none"> > Installation does not correspond to the ampere consumption of the machine 	<ul style="list-style-type: none"> • Change to an installation corresponding to the ampere consumption of the machine at a minimum. Replace the fuse.
Working pressure too low	<ul style="list-style-type: none"> > Nozzle worn > Wrong spray lance > Too many users on the system > Reduction valve of spray lance not adjusted to max. pressure. > Nozzle partly clogged up 	<ul style="list-style-type: none"> • Replace the nozzle. • Replace the spray lance. • Turn reduction valve completely counter-clockwise. • Clean the nozzle (see section C.3).
Working pressure not steady	<ul style="list-style-type: none"> > Water temperature too high > Insufficient water supply to pumps > Air in the system > Water filters clogged up 	<ul style="list-style-type: none"> • Lower the temperature of the inlet water to max. temperature (see Technical Specifications). • Check water inlet filter + filter in water tank. If that does not solve the problem, the water supply for the machine is insufficient. • Vent the system (see section A.7). • Clean filters (see sect. C.2)
No working pressure	<ul style="list-style-type: none"> > Nozzle clogged up > No inlet water > High pressure cock of outlet point open. 	<ul style="list-style-type: none"> • Clean nozzle (see sect. D.3) • Check that the shut off cock of the water inlet is open. Check that the water supply meets the requirements (see section A.4) • Close all high pressure cocks not in use.
Machine/pumps start and stop	<ul style="list-style-type: none"> > Leaky hose/ pipeline/spray handle 	<ul style="list-style-type: none"> • Repair leak.
Pump stops	<ul style="list-style-type: none"> > Oil shortage in pump. Lamp flashes #6 	<ul style="list-style-type: none"> • Top up with oil.

Should other malfunctions occur than those mentioned above, please contact your nearest Nilfisk service organisation.

Machine failure - see B2.6 and B2.7.

Warranty








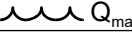




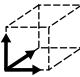


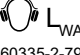
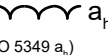
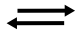



Your Nilfisk product is guaranteed for 12 months from date of purchase (purchase receipt must be presented) on the following conditions:












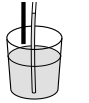
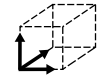



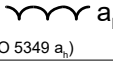
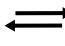



- that defects are attributable to flaws or defects in materials or workmanship. (Usual wear and tear as well as misuse are not covered by the guarantee).
- that repairs have not been carried out or attempted by other than Nilfisk-trained service staff.
- that only original accessories have been applied.
- that the product has not been exposed to abuse such as knocks, bumps or frost.
- that the instructions in the manual have been carefully observed.

A warranty repair comprises the replacement of defective parts, but it does not cover freight and packaging charges. Besides we refer to national Sale of Goods Act.

Any **illegitimate** guarantee repair will be invoiced. (I.e. malfunctions due to **causes** mentioned in section “**Troubleshooting**” of the instruction manual).

Specifications

		SC DELTA 6P 160/4500-3	SC DELTA 6P 160/6000-4	SC DELTA 6P 160/6000-4	SC DELTA 6P 160/9000-6	SC DELTA 6P 160/9000-6	SC DELTA 8P 100/7500-3	SC DELTA 8P 100/10000-4	SC DELTA 6P 100/15000-6	
1		EU	EU	EXPT	EU	EXPT	EU	EU	EU	
2	 V/ph/Hz	400V/3ph/50Hz		440V/3ph/ 60Hz	400V/3ph/ 50Hz	440V/3ph/ 60Hz	400V/3ph/50Hz			
3	 A	48	64	58	95	87	48	64	95	
4	 kW	27	35		55		27	35	55	
5	 P _{IEC} bar (MPa)	160 (16)					100 (10)			
6	 Q _{IEC} l/h	4400	5800		8600		7000	9500	14500	
7	 P _{max} bar (MPa)	250 (25)					150 (15)			
8	 Q _{max} l/h	4500	6000		9000		7500	10000	15000	
9	 t _{max} °C (°F)	70 (158)								
10	 p _{max} bar (MPa)	10 (1)								
11	 p _{min} bar (MPa)	2 (0.2)								
12	 m	0								
13	 mm	970x1050x1800								
14	 kg	349	408		526		348	408	526	
15	 L _{PA} (IEC 60335-2-79) dB(A)+/-2	84	85		87		84	85	87	
16	 L _{WA} (IEC 60335-2-79) dB(A)+/-2	100	101		103		100	101	103	
17	 a _h (ISO 5349 a _h) m/s ²	<1.5+/-1								
18	 N	27-122								
19	 L	0.81 (x3)	0.81 (x4)		0.81 (x6)		0.81 (x3)	0.81 (x4)	0.81 (x6)	
20	 TYPE	Castrol Alphasyn T150								
21		Min. 0350					0700			

1			EN: Country variant. DE: Ländervarianten. FR: Selon le pays. ES: Dependencia del país. RU: Региональное исполнение. DA: Landespecific variant
2		V/ph/Hz	EN: Possible voltage. DE: Mögliche Spannung. FR: Tension autorisée. ES: Tensión admitida. RU: Напряжение, В/ф./част. В/ф./Гц. DA: Spænding.
3		A	EN: Fuse. DE: Sicherung. FR: Fusible. ES: Fusible. RU: Предохранитель. DA: Sikring.
4		kW кВт	EN: Power rating. DE: Nennleistung. FR: Puissance nominale. ES: Potencia nominal. RU: Номинальная мощность кВт. DA: Nominel effekt.
5		bar (MPa) Бар (МПа)	EN: Working pressure. DE: Arbeitsdruck. FR: Pression de service. ES: Presión de trabajo. RU: Рабочее давление. DA: Arbejdstryk.
6		l/h л/час	EN: Water flow. DE: Wasserdurchsatz. FR: Débit d'eau. ES: Flujo de agua. RU: Расход воды. DA: Vandmængde.
7		bar (MPa) Бар (МПа)	EN: Max. water pressure. DE: Max Wasserdruck. FR: Pression d'eau maximale. ES: Presión máxima de entrada del agua. RU: Макс. давление воды. DA: Max. vandtryk.
8		l/h	EN: Water flow. DE: Wasserdurchsatz. FR: Débit d'eau. ES: Flujo de agua. RU: Расход воды. DA: Vandmængde.
9		°C (°F)	EN: Max water inlet temperature, Intake-Pressure operation. DE: Max Wassereinlass-temperatur - Druckbetrieb. FR: Température max. de l'entrée d'eau en mode admission/pression. ES: Temperatura y presión máxima de entrada del agua. RU: Макс. температура воды на входе (всасывание/подача под давлением). DA: Maks. vandtilgangstemperatur, tilgangstrykdrift.
10		bar (MPa) Бар (МПа)	EN: Max. water inlet pressure. DE: Max. Wassereinlassdruck. FR: d'eau en mode admission/pression. ES: Presión máxima de entrada del agua. RU: Макс. давление воды на входе. DA: Maks. Vandtilgangstryk.
11		bar (MPa) Бар (МПа)	EN: Min. water inlet pressure. DE: Min. Wassereinlassdruck. FR: d'eau en mode admission/pression Min. ES: Presión mínima de entrada del agua. RU: Минимально давление воды на входе. DA: Min. Vandtilgangstryk.
12		m	EN: Max dry suction height. DE: Max. Trockensaughöhe. FR: Hauteur d'aspiration à sec max. ES: Altura máxima de succión en seco. RU: Макс. высота всасывания. DA: Max. sugehøjde, tør.
13		mm	EN: Dimensions LxWxH. DE: Masse LxBxH. FR: Dimensions l x p x h. ES: Dimensiones l x a x al. RU: Размеры, Дл. x Шир. x Выс. DA: Mål LxBxH.
14		kg кг	EN: Weight. DE: Gewicht. FR: Poids du nettoyeur. ES: Peso del limpiador. RU: Вес моечной машины. DA: Vægt.
15		dB(A) +/-2 дБ(A) +/-2	EN: Sound pressure level L_{PA} . DE: Schalldruckpegel. FR: Niveau de pression acoustique. ES: Nivel de presión sonora. RU: Уровень шума. DA: Lydtryksniveau.
16		dB(A)+/-2 дБ(A)+/-2	EN: Sound power level L_{WA} . DE: Schalleistungspegel. FR: Niveau de puissance acoustique. ES: Potencia acústica. RU: Уровень звуковой мощности. DA: Lydefektniveau.
17		m/s ²	EN: Vibration. DE: Vibrationen. FR: Vibration. ES: Vibración. RU: Вибрация. DA: Vibration
18		N	EN: Recoil forces, lance. DE: Rückstoßkraft, Sprührohr. FR: Forces de recul, lance. ES: Fuerzas de retroceso, lanza. RU: Сила отдачи (распылитель). DA: Rekylkraft, dyserør.
19		L	EN: Oil quantity. DE: Ölmenge. FR: Quantité d'huile. ES: Cantidad de aceite. RU: Количество масла. DA: Oliemængde.
20			EN: Oil type. DE: Öltyp. FR: Type d'huile. ES: Tipo de aceite. RU: Тип масла. DA: Olietype.
21			EN: Nozzle size. DE: Düsengrösse. FR: Taille de la buse. ES: Tamaño de la boquilla. RU: Размер сопла. DA: Dysestørrelse.

EN: Specifications and details are subject to change without prior notice. **DE:** Technische Daten und Details des Geräts können sich ohne vorherige Ankündigung ändern. **FR:** Ces spécifications et détails sont susceptibles d'être modifiés sans préavis. **ES:** Las especificaciones y los datos están sujetos a cambios sin previo aviso. **RU:** Технические характеристики и данные могут изменяться без предварительного извещения. **DA:** Ret til ændringer i konstruktion og specifikationer forbeholdes.



EU / UE / EL / EC / EE / ES / EÚ / AB / EG

Declaration of Conformity

Prohlášení o shodě
Konformitätserklärung
Overensstemmelseserklæring
Declaración de conformidad
Vastavusdeklaratsioon
Déclaration de conformité
Vaatumustenmukaisuusvakuutus

Декларация за съответствие
Δήλωση συμμόρφωσης
Megfelelősségi nyilatkozat
Izjava o skladnosti
Dichiarazione di conformità
Atitikties deklaracija
Atbilstības deklarācija
Samsvarserklæring
Conformiteitsverklaring

Declaração de conformidade
Deklaracja zgodności
Declaratie de conformitate
Декларация о соответствии
Försäkran om överensstämmelse
Vyhlášení o zhode
Izjava o skladnosti
Uygunluk beyanı

Manufacturer / Výrobce / Hersteller / Fabrikant /
Fabricante / Κατασκευαστής / Gyártó / Proizvođač /
Fabbricante / Gamintojas / Ražotājs / Producers /
Fabrikant / Fabricante / Producent / Producător /
производитель / Tillverkaren / Výrobca / Proizvajalec /
Üretici firma:

**Nilfisk A/S, Kornmarksvej 1
DK-2605 Broendby, DENMARK**

Product / Produkt / Producto, Toode, Produit, Tuote /
Продукт / Προϊόν / Termék / Proizvod / Prodotto /
Produktas / Produkts / Artikel / Produtos / Prods /
Izdelek / Ürün

SC DELTA 6P/8P

Description / Popis / Beschreibung / Beskrivelse /
Descripción / Kirjeldus / La description / Kuvaus /
Описание / Περιγραφή / Leirás / Opis / Descrizione /
Aprašymas / Apraksts / Beschrijving / Descrição /
Descriere / Beskrivning / Popis / Açıklama

**HPW - Professional - Stationary - EI - CW
440V 3~ 50Hz, IPX5**

EN

We, Nilfisk hereby declare under our sole responsibility, that the above-mentioned product(s) is/are in conformity with the following directives and standards.

CS

My, Nilfisk prohlašujeme na svou výlučnou odpovědnost, že výše uvedený výrobek je ve shodě s následujícími směrnici a normami.

DE

Wir, Nilfisk erklären in alleiniger Verantwortung, dass das oben genannte Produkt den folgenden Richtlinien und Normen entspricht.

DA

Vi, Nilfisk erklærer hermed under eget ansvar at ovennævnte produkt(er) er i overensstemmelse med følgende direktiver og standarder.

ES

Nosotros, Nilfisk declaramos bajo nuestra única responsabilidad que el producto antes mencionado está en conformidad con las siguientes directivas y normas

ET

Meie, Nilfisk Käesolevaga kinnitame ja kanname ainuisikulist vastutust, et eespool nimetatud toode on kooskõlas järgmiste direktiivide ja

LT

Mes, „Nilfisk“, prisiimdami visišką atsakomybę pareiškiame, kad pirmiau minėtas produktas (-ai) atitinka šias direktyvas ir standartus

LV

Mēs, Nilfisk, ar pilnu atbildību apliecinām, ka iepriekšminētais produkts atbilst šādām direktīvām un standartiem

NO

Vi, Nilfisk erklærer herved under eget ansvar, at det ovennevnte produktet er i samsvar med følgende direktiver og standarder

NL

We verklaren Nilfisk hierbij op eigen verantwoordelijkheid, dat het bovengenoemde product voldoet aan de volgende richtlijnen en normen

PT

Nós, a Nilfisk declaramos, sob nossa exclusiva responsabilidade, que o produto acima mencionado está em conformidade com as diretrizes e normas a seguir

PL

My, Nilfisk Niniejszym oświadczamy z pełną odpowiedzialnością, że wyżej wymieniony produkt jest zgodny z następującymi dyrektywami i normami..

<p>FR Nilfisk déclare sous notre seule responsabilité que le produit mentionné ci-dessus est conforme aux directives et normes suivantes.</p>	<p>RO Noi, Nilfisk Prin prezenta declarăm pe propria răspundere, că produsul mai sus menționat este în conformitate cu următoarele standarde și directive</p>
<p>FI Me, Nilfisk täten vakuutamme omalla vastuulla, että edellä mainittu tuote on yhdenmukainen seuraavien direktiivien ja standardien mukaisesti</p>	<p>RU Мы, Nilfisk настоящим заявляем под нашу полную ответственность, что вышеперечисленные продукция соответствует следующими директивам и стандартам.</p>
<p>BG Ние, Nilfisk С настоящото декларираме на своя лична отговорност, че посочените по-горе продуктът е в съответствие със следните директиви и стандарти.</p>	<p>SV Vi Nilfisk förklarar härmed under eget ansvar att ovan nämnda produkt överensstämmer med följande direktiv och normer.</p>
<p>EL Εμείς, Nilfisk δηλώνουμε με αποκλειστική μας ευθύνη, ότι το προαναφερόμενο προϊόν συμμορφώνεται με τις ακόλουθες οδηγίες και πρότυπα.</p>	<p>SK My, Nilfisk prehlasujeme na svoju výlučnú zodpovednosť, že vyššie uvedený výrobok je v zhode s nasledujúcimi smernicami a normami.</p>
<p>HU Mi, Nilfisk Kijelentjük, egyedüli felelősséggel, hogy a fent említett termék megfelel az alábbi irányelveknek és szabványoknak</p>	<p>SL Mi, Nilfisk izjavljamo s polno odgovornostjo, da je zgoraj omenjeni izdelek v skladu z naslednjimi smernicami in standardi.</p>
<p>HR Mi, Nilfisk Izjavljujemo pod punom odgovornošću, da gore navedeni proizvod u skladu sa sljedećim direktivama i standardima.</p>	<p>TR Nilfisk, burada yer alan tüm sorumluluklarımıza göre, yukarıda belirtilen ürünün aşağıdaki direktifler ve standartlara uygun olduğunu beyan ederiz.</p>
<p>IT Noi, Nilfisk dichiara sotto la propria responsabilità, che il prodotto di cui sopra è conforme alle seguenti direttive e norme.</p>	

2006/42/EC	EN 60335-1:2012+A11:2014+A13:2017 EN 60335-2-79:2012 EN 60204-1:2006+A1:2009
2014/30/EU	EN 55014-1:2017+A11:2020 EN 55014-2:2015 EN 61000-3-2:2014 EN 61000-3-11:2000
2011/65/EU	EN 63000:2018
2000/14/EC - Conformity assessment procedure according to Annex V.	- Measured sound power level: 97-100 dB(A); Guaranteed sound power level: 100-103 dB(A)

Authorized signatory: Pierre Mikaelsson, Executive Vice President, Global Products & Services, Nilfisk NLT

Oct 1, 2021





UK Declaration of Conformity

We,
Nilfisk Ltd
Nilfisk House, Bowerbank Way Gilwilly Industrial Estate
Penrith Cumbria
CA11 9BQ UK

Hereby declare under our sole responsibility that the

Products: HPW - Professional - Stationary - EI - CW
Description: 400V 3~ 50Hz, IPX5
Type: SC DELTA 6P/8P

Are in compliance with the following standards - as far as relevant:

EN 60335-1:2012+A11:2014+A13:2017
EN 60335-2-79:2012
EN 60204-1:2006+A1:2009
EN 55014-1:2017+A11:2020
EN 55014-2:2015
EN 61000-3-2:2014
EN 61000-3-11:2000
EN 63000:2018

Following the provisions of:

Supply of Machinery (Safety) Regulations 2008/1597
Electromagnetic Compatibility Regulations 2016/1091
The Restriction of the Use of Certain Hazardous Substances in Electrical and Electronic Equipment Regulations 2012/3032
Noise Emission in the Environment by Equipment for use Outdoors Regulations 2001 – Conformity assessment procedure according to Annex V.
- Measured sound power level: 97-100 dB(A); Guaranteed sound power level: 100-103 dB(A)

Penrith, 10-2-2021

A handwritten signature in black ink, appearing to read "Stewart Dennett".

Stewart Dennett
GM/MD



HEAD QUARTER

DENMARK

Nilfisk A/S
Kornmarksvej 1
DK-2605 Broendby
Tel.: (+45) 4323 8100
www.nilfisk.com

SALES COMPANIES

ARGENTINA

Nilfisk Argentina
Herrera 1855 Piso 4° B Ofic 405
Ciudad de Buenos Aires
Tel.: (+54) 11 6091 1576
www.nilfisk.com.ar

AUSTRALIA

Nilfisk Pty Ltd
Unit 1/13 Bessemer Street
Blacktown NSW 2148
Tel.: (+61) 2 98348100
www.nilfisk.com.au

AUSTRIA

Nilfisk GmbH
Metzgerstrasse 68
5101 Bergheim bei Salzburg
Tel.: (+43) 662 456 400 90
www.nilfisk.at

BELGIUM

Nilfisk n.v.s.a.
Riverside Business Park
Boulevard Internationalelaan 55
Bâtiment C3/C4 Gebouw
Bruxelles 1070
Tel.: (+32) 24 67 60 50
www.nilfisk.be

BRAZIL

Nilfisk do Brasil
Av. Eng. Luis Carlos Berrini, 550
40 Andar, Sala 03
SP - 04571-000 Sao Paulo
Tel.: (+11) 3959-0300 / 3945-4744
www.nilfisk.com.br

CANADA

Nilfisk Canada Company
240 Superior Boulevard
Mississauga, Ontario L5T 2L2
Tel.: (+1) 800-668-8400
www.nilfisk.ca

CHILE

Nilfisk S.A. (Comercial KCS Ltda)
Salar de Llamara 822
8320000 Santiago
Tel.: (+56) 2684 5000
www.nilfisk.cl

CHINA

Nilfisk
4189 Yindu Road
Xinzhuan Industrial Park
201108 Shanghai
Tel.: (+86) 21 3323 2000
www.nilfisk.cn

CZECH REPUBLIC

Nilfisk s.r.o.
VGP Park Horní Počernice
Do Čertous 1/2658
193 00 Praha 9
Tel.: (+420) 244 090 912
www.nilfisk.cz

DENMARK

Nilfisk Danmark A/S
Industrivej 1
Hadsund, DK-9560
Tel.: 72 18 21 20
www.nilfisk.dk

FINLAND

Nilfisk Oy Ab
Koskelontie 23 E
02920 Espoo
Tel.: (+358) 207 890 600
www.nilfisk.fi

FRANCE

Nilfisk SAS
26 Avenue de la Baltique
Villebon sur Yvette
91978 Courtabouef Cedex
Tel.: (+33) 169 59 87 00
www.nilfisk.fr

GERMANY

Nilfisk GmbH
Guido-Oberdorfer-Straße 2-10
89287 Bellenberg
Tel.: (+49) (0)7306/72-444
www.nilfisk.de

GREECE

Nilfisk A.E.
Αναπαύσεως 29
Κορωπί T.K. 194 00
Tel.: (30) 210 9119 600
www.nilfisk.gr

HOLLAND

Nilfisk B.V.
Versterkerstraat 5
1322 AN Almere
Tel.: (+31) 036 5460760
www.nilfisk.nl

HONG KONG

Nilfisk Ltd.
2001 HK Worsted Mills
Industrial Building
31-39, Wo Tong Tsui St.
Kwai Chung, N.T.
Tel.: (+852) 2427 5951
www.nilfisk.com

HUNGARY

Nilfisk Kft.
II. Rákóczi Ferenc út 10
2310 Szigetszentmiklós-Lakihegy
Tel.: (+36) 24 475 550
www.nilfisk.hu

INDIA

Nilfisk India Limited
Pramukh Plaza, 'B' Wing, 4th floor,
Unit No. 403
Cardinal Gracious Road, Chakala
Andheri (East) Mumbai 400 099
Tel.: (+91) 22 6118 8188
www.nilfisk.in

IRELAND

Nilfisk
1 Stokes Place
St. Stephen's Green
Dublin 2
Tel.: (+35) 3 12 94 38 38
www.nilfisk.ie

ITALY

Nilfisk SpA
Strada Comunale della Braglia, 18
26862 Guardamiglio (LO)
Tel.: (+39) (0) 377 414021
www.nilfisk.it

JAPAN

Nilfisk Inc.
1-6-6 Kita-shinyokohama, Kouhoku-ku
Yokohama, 223-0059
Tel.: (+81) 45548 2571
www.nilfisk.com

MALAYSIA

Nilfisk Sdn Bhd
Sd 33, Jalan KIP 10
Taman Perindustrian KIP
Sri Damansara
52200 Kuala Lumpur
Tel.: (60) 3603 627 43 120
www.nilfisk.com

MEXICO

Nilfisk de Mexico, S. de R.L. de C.V.
Pirineos #515 Int.
60-70 Microparque
Industrial WSantiago
76120 Queretaro
Tel.: (+52) (442) 427 77 00
www.nilfisk.com

NEW ZEALAND

Nilfisk Limited
Suite F, Building E
42 Tawa Drive
0632 Albany Auckland
Tel.: (+64) 9 414 1996
Website: www.nilfisk.com

NORWAY

Nilfisk AS
Bjørnerudveien 24
1266 Oslo
Tel.: (+47) 22 75 17 80
www.nilfisk.no

PERU

Nilfisk S.A.C.
Calle Boulevard 162, Of. 703, Lima
33- Perú
Lima
Tel.: (511) 435-6840
www.nilfisk.com

POLAND

Nilfisk Sp. Z.O.O.
Millenium Logistic Park
ul. 3 Maja 8, Bud. B4
05-800 Pruszków
Tel.: (+48) 22 738 3750
www.nilfisk.pl

PORTUGAL

Nilfisk Lda.
Sintra Business Park
Zona Industrial Da Abrunheira
Edifício 1, 1° A
P2710-089 Sintra
Tel.: (+351) 21 911 2670
www.nilfisk.pt

RUSSIA

Nilfisk LLC
Vyatskaya str. 27, bld. 7/1st
127015 Moscow
Tel.: (+7) 495 783 9602
www.nilfisk.ru

SINGAPORE

Den-Sin
22 Tuas Avenue 2
639453 Singapore
Tel.: (+65) 6268 1006
www.densin.com

SLOVAKIA

Nilfisk s.r.o.
Bancikovej 1/A
SK-821 03 Bratislava
Tel.: (+421) 910 222 928
www.nilfisk.sk

SOUTH AFRICA

Nilfisk (Pty) Ltd
Kimbult Office Park
9 Zeiss Road
Laser Park
Honeydew
Johannesburg
Tel.: +27118014600
www.nilfisk.co.za

SOUTH KOREA

Nilfisk Korea
#204 2F Seoulsup Kolon Digital
Tower
25 Seongsuil-ro 4-gil, Seongdong-gu
Seoul.
Tel.: (+ 82) 2 3474 4141
www.nilfisk.co.kr

SPAIN

Nilfisk S.A.
Torre d'Ara,
Passeig del Rengle, 5 Plta. 10ª
08302 Mataró
Tel.: (34) 93 741 2400
www.nilfisk.es

SWEDEN

Nilfisk AB
Taljegårdsgatan 4
431 53 Mölndal
Tel.: (+46) 31 706 73 00
www.nilfisk.se

SWITZERLAND

Nilfisk AG
Ringstrasse 19
Kircheberg/Industri Stelz
9500 Wil
Tel.: (+41) 71 92 38 444
www.nilfisk.ch

TAIWAN

Nilfisk Ltd
Taiwan Branch (H.K.)
No. 5, Wan Fang Road
Taipei
Tel.: (+88) 6227 00 22 68
www.nilfisk.tw

THAILAND

Nilfisk Co. Ltd.
89 Soi Chokechai-Ruammitr
Viphavadee-Rangsit Road
Ladyao, Jatuchak, Bangkok 10900
Tel.: (+66) 2275 5630
www.nilfisk.co.th

TURKEY

Nilfisk A.S.
Serifali Mh. Bayraktar Bulv. Sehiz
Sk. No:7
Ümraniye, 34775 Istanbul
Tel.: +90 216 466 94 94
www.nilfisk.com.tr

UNITED ARAB EMIRATES

Nilfisk Middle East Branch
SAIF-Zone
P.O. Box 122298
Sharjah
Tel.: (+971) (0) 655-78813
www.nilfisk.com

UNITED KINGDOM

Nilfisk Ltd.
Nilfisk House, Bowerbank Way
Gilwilly Industrial Estate, Penrith
Cumbria CA11 9BQ
Tel.: (+44) (0) 1768 868995
www.nilfisk.co.uk

UNITED STATES

Nilfisk, Inc.
9435 Winnetka Ave N,
Brooklyn Park
MN- 55445
www.nilfisk.com

VIETNAM

Nilfisk Vietnam
No. 51 Doc Ngu Str.
P. Vinh Phúc, Q.Ba Dinh
Hanoi
Tel.: (+84) 761 5642
www.nilfisk.com

